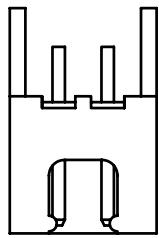
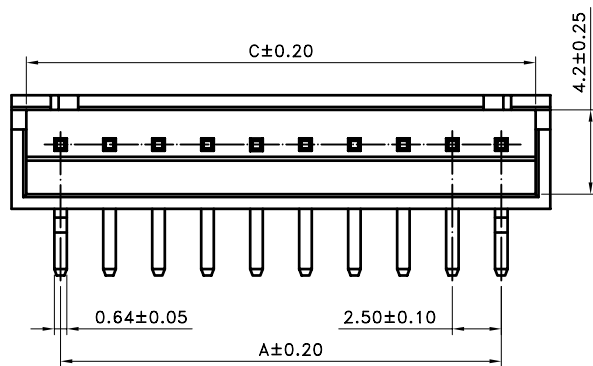
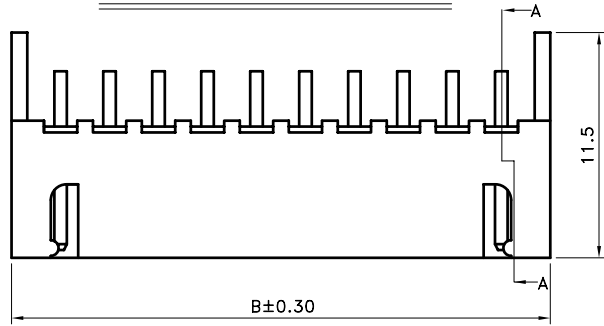
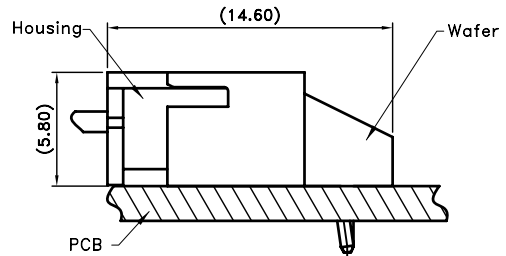


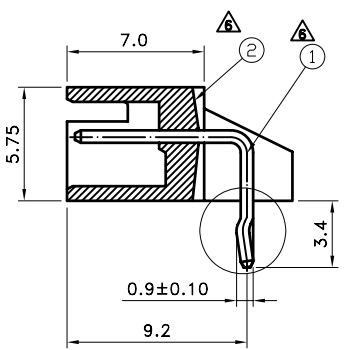
Recommended PCB Layout(Top View)



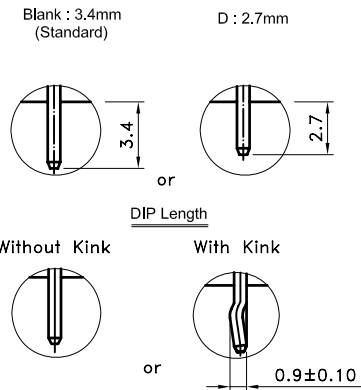
2 Circuit



Assemble state



A-A Section



Structure Reference

- SPECIFICATIONS
- Rated Voltage : 250 V AC/DC
 - Current Rating : 3A AC/DC.
 - Withstanding Voltage : 1,000V AC/minute
 - Insulation Resistance : 1,000M Ω min.
 - Temperature Range : - 25°C to + 85°C
 - Contact resistance : 20m Ω max.
- ▲ WAFER
- Part No. : 2WB1001R-XX(XXX XX X X)X
① ② ③ ④ ⑤ ⑥
 - ① Poles No : 2~20 (Right Angle)
 - ② Plated : Blank : Bright-Tin Plated
NMD : Matte-Tin Plated
G : Gold Over Plated
G1 : 30u" Gold Plated
 - ③ Base Material : Blank : Nylon 66 UL94V-0
PA : PA46 UL94V-0
 - ④ Kink Type Blank : Without Kink
K : With Kink
 - ⑤ DIP Length Blank : 3.4mm
D : 2.7mm
 - ⑥ Color : Blank : Nature
R : Red(199C#)
R1 : Red(198C#)
 - Material : 1. Contact : Brass
2. Base : Refer the above options
 - Package: Bag

Poles	Dimension(mm)		
	A	B	C
2	2.50	7.50	6.00
3	5.00	10.00	8.50
4	7.50	12.50	11.00
5	10.00	15.00	13.50
6	12.50	17.50	16.00
7	15.00	20.00	18.50
8	17.50	22.50	21.00
9	20.00	25.00	23.50
10	22.50	27.50	26.00
11	25.00	30.00	28.50
12	27.50	32.50	31.00
13	30.00	35.00	33.50
14	32.50	37.50	36.00
15	35.00	40.00	38.50
16	37.50	42.50	41.00
17	40.00	45.00	43.50
18	42.50	47.50	46.00
19	45.00	50.00	48.50
20	47.50	52.50	51.00

TOLERANCE	LTR	REVISION RECORD	NAME	DATE	LTR	REVISION RECORD	NAME	DATE
.0	±0.30	▲			▲	新增產品規格	周美麗	2012/12/26
.00	±0.20	▲			▲			
.000	±0.10	▲			▲			
ANGLE		▲						
0°	±1°	▲						
.0°	±	▲	IS-1001R全系列合併圖面	劉怡萱	2011/02/14			
SHEET	1/1	▲	增加PA46選項, 增加額定電壓	吳弘文	2011/11/05			

Singatron Enterprise Co., Ltd.

TITLE	2.50mm DIP series wire to board connector(Right Angle)		
DWN	周美麗	PART NO.	2WB1001R-XX(XXX XX X X)X
CHKD	周家慶	SCALE	1:1 UNIT: mm
APVD	張育瑞	SIZE	A3 SHEET:1 OF 1 REV:a8

CUSTOMER

Conforms to The RoHS Instruction

CUSTOMER COPY