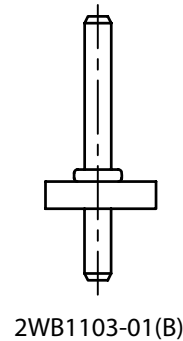
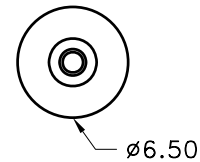
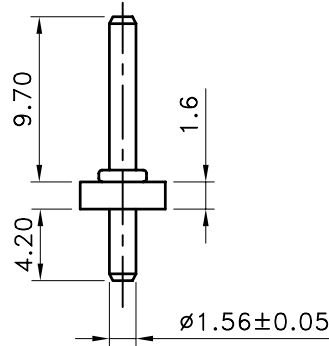
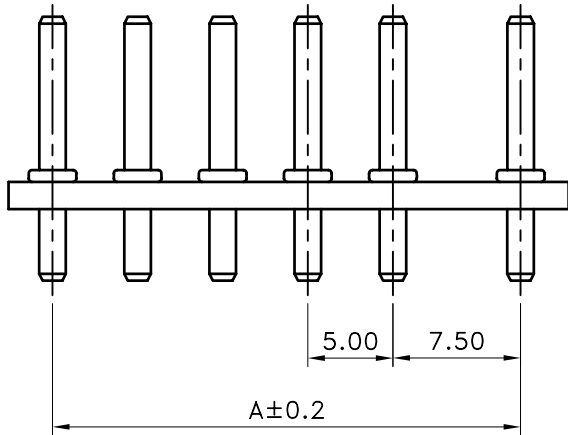
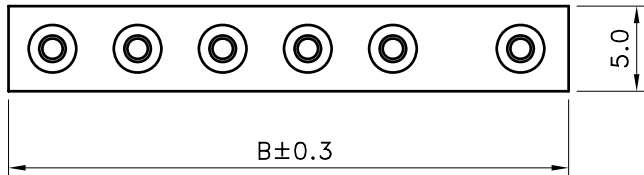


Recommended PCB Layout



■ SPECIFICATIONS

- Voltage Rating : 125 V AC/DC
- Current Rating : 3A AC/DC
- Withstanding Voltage : 1,500V AC/minute
- Insulation Resistance : 1,000MΩ min
- Temperature Range : - 25°C to + 85°C
- Contact Resistance : 20mΩ max

■ WAFER

- Part No. : 2WB1103-XX(B)
- Poles : 1 - 6
- Material : Contact : Brass, Tin Plated
Base : Phenolic Bakelite UL94V-0
- Q' ty : 1,000 pcs./Bag

Poles	Part No.	Dimensions(mm)	
		A	B
1	2WB1103-01(B)	See the Drawing	
2	2WB1103-02(B)	7.50	13.10
3	2WB1103-03(B)	7.50+(5.00x1)	18.10
4	2WB1103-04(B)	7.50+(5.00x2)	23.10
5	2WB1103-05(B)	7.50+(5.00x3)	28.10
6	2WB1103-06(B)	7.50+(5.00x4)	33.10

TOLERANCE	LTR	REVISION RECORD	DATE	LTR	REVISION RECORD	DATE
.0	±0.3	ECR	RoHS Compliant 07/01/04			
.00	±0.2	ECR	200812-012			08/12/24
.000	±0.1					
ALL	±					
ANGLE						
0°	±					
.0°	±					

Singatron Enterprise Co., Ltd.

TITLE 5.00mm Crimp Style Connectors Wafer

DWN 黄科源 PART NO. 2WB1103-XX(B)

CHKD SCALE 1:1 UNIT: mm

APVD 林宗 SIZE: A3 SHEET:1 OF 1 REV:a2

CUSTOMER COPY

Conforms to The RoHS Instruction

CUSTOMER