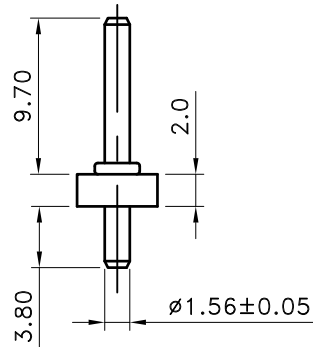
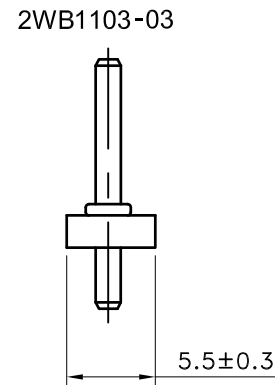
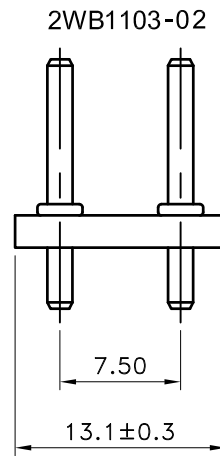
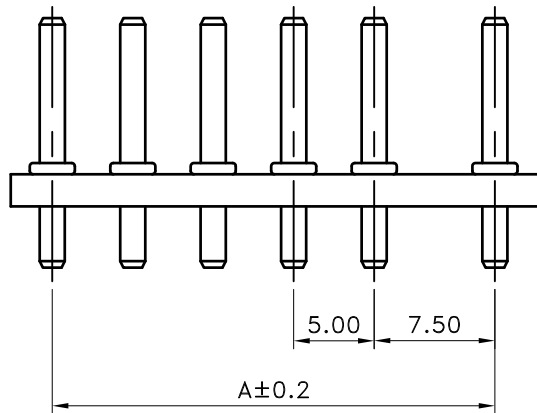
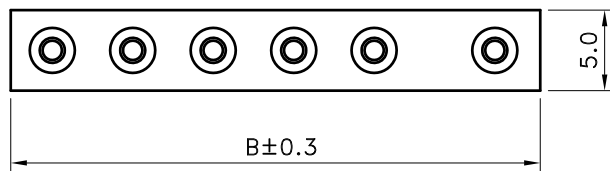


Recommended PCB Layout



- SPECIFICATIONS**
- Voltage Rating : 250 V AC/DC
 - Current Rating : 5A AC/DC
 - Withstanding Voltage : 1,500V AC/minute
 - Insulation Resistance : 1,000MΩ min
 - Temperature Range : - 25°C to + 85°C
 - Contact Resistance : 20mΩ max

- WAFER**
- Part No. : 2WB1103-XX
 - Poles : 1 - 6
 - Material : Contact : Brass, Tin Plated
Base : Nylon 66 UL94V-0
 - Q' ty : 1,000 pcs./Bag

Poles	Part No.	Dimensions(mm)	
		A	B
1	2WB1103-01	See the Drawing	
2	2WB1103-02	See the Drawing	
3	2WB1103-03	7.50+(5.00x1)	18.10
4	2WB1103-04	7.50+(5.00x2)	23.10
5	2WB1103-05	7.50+(5.00x3)	28.10
6	2WB1103-06	7.50+(5.00x4)	33.10

TOLERANCE	LTR	REVISION RECORD	NAME	DATE	LTR	REVISION RECORD	NAME	DATE
.0	±0.30	1			2			
.00	±0.20	3	ECR RoHS Compliant	2007/01/04	4			
.000	±0.10	5	ECR 200812-012	2008/12/24	6			
ANGLE		4	依規格書修定物性表	2014/04/09	CUSTOMER			
0°	±1°	5			Conforms to The RoHS Instruction			
.0°	±	6						
SHEET	1/1	7						

Singatron Enterprise Co., Ltd.

TITLE 5.00mm Crimp Style Connectors Wafer

DWN 吳弘文 PART NO. 2WB1103-XX

CHKD 周慈雲 SCALE 1:1 UNIT: mm

APVD 張育瑞 SIZE: A3 SHEET: 1 OF 1 REV: a4

CUSTOMER COPY