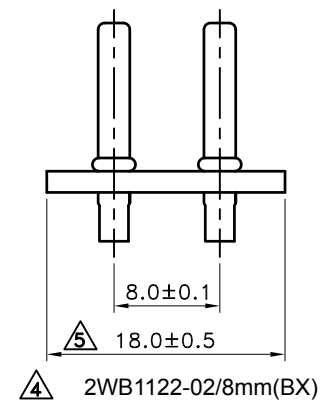
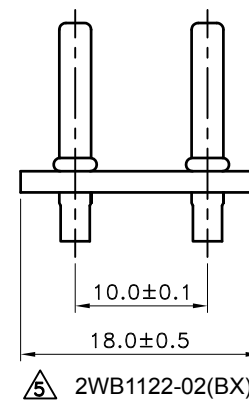
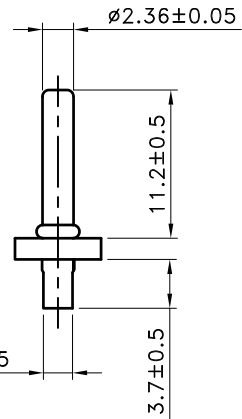
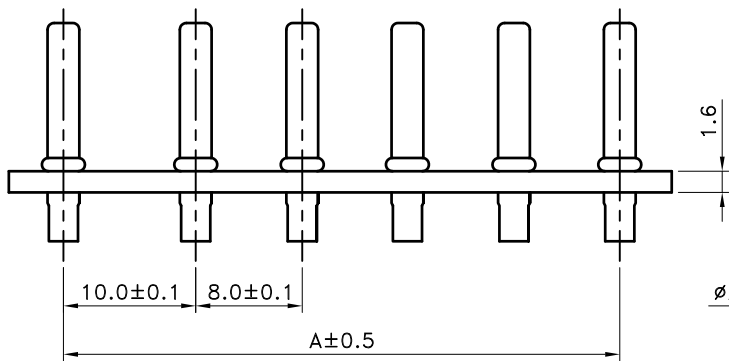
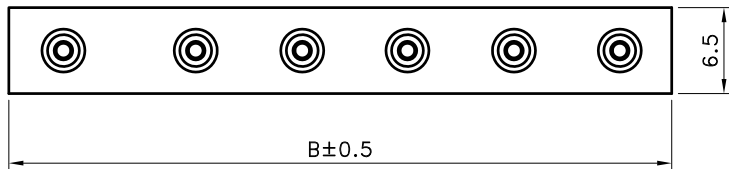


Recommended PCB Layout



■ SPECIFICATIONS

- Voltage Rating : 125V AC/DC
- Current Rating : 3A AC/DC
- Withstanding Voltage : 1,500V AC/minute
- Insulation Resistance : 1,000MΩ min.
- Temperature Range : - 25°C to + 85°C
- Contact Resistance : 20mΩ max.

■ WAFER

- Part No. : 2WB1122-XX(BX)
- ① Poles : 1 - 6      ① ②
- ② DIP Length:( B ) : 4.6mm  
( BS ) : 3.7mm
- Material : Contact : Brass, Tin plated  
                  △ Base : Phenolic Bakelite UL94HB
- Q' ty : 1,000 pcs./Bag

Poles	Dimensions(mm)	
	A	B
1	-----	6.50
2	See the Drawing	
3	10.0+(8.0×1)	26.00
4	10.0+(8.0×2)	34.00
5	10.0+(8.0×3)	42.00
6	10.0+(8.0×4)	50.00

TOLERANCE	LTR	REVISION RECORD	NAME	DATE	LTR	REVISION RECORD	NAME	DATE
.0	±0.30	△1	RoHS Compliant	吳弘文	2007/01/04	△8		
.00	±0.20	△2	ECR 200811-020	黃科源	2008/11/25	△9		
.000	±0.10	△3	修正圖面編碼	吳弘文	2014/01/15	△10		
ANGLE		△4	合併(BS)圖面	吳弘文	2014/01/20	CUSTOMER		
0°	±1°	△5	修正物性表UL等級	吳弘文	2015/06/12			
.0°	±	△6						
SHEET	1/1	△7				Conforms to The RoHS Instruction		

Singatron Enterprise Co., Ltd.

TITLE	Disconnectable Crimp Style Connectors for 2.36mm Diameter Pins			
DWN	吳弘文	PART NO.	2WB1122-XX(BX)	
CHKD	周慈雲	SCALE	1:1	UNIT: mm
APVD	張育瑞	SIZE:	A3	SHEET: 1 OF 1 REV: a5
CUSTOMER COPY				