

1 2 3 4 5 6 7 8

F

F

E

E

D

D

C

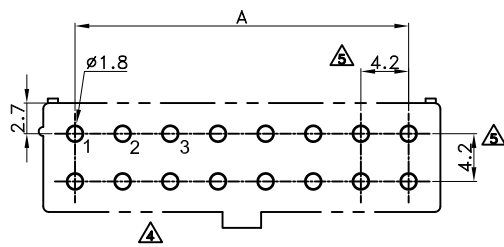
C

B

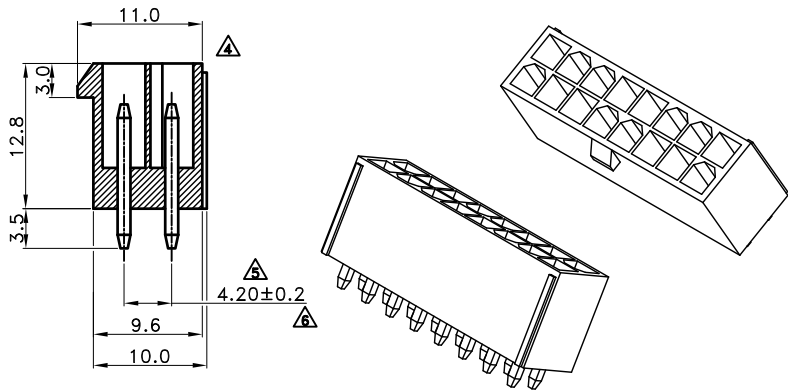
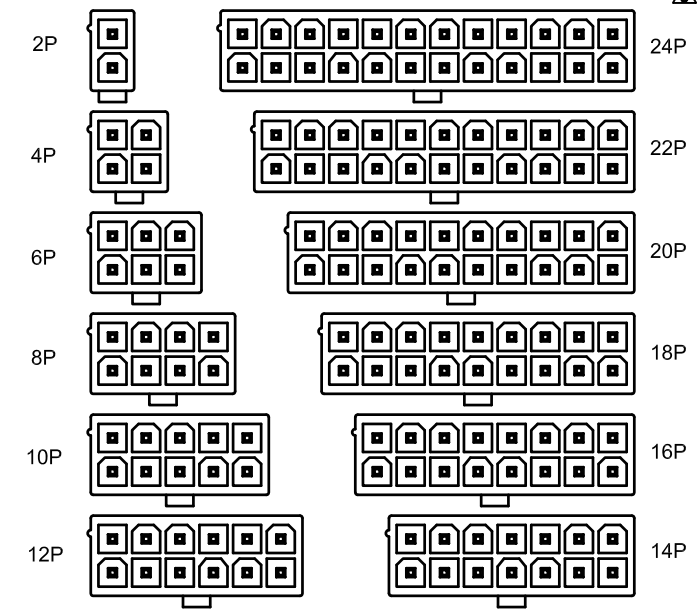
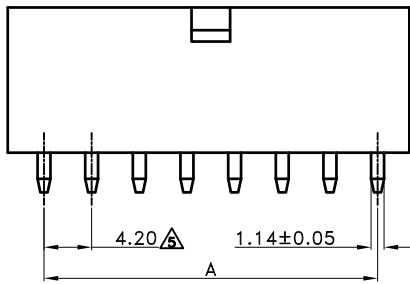
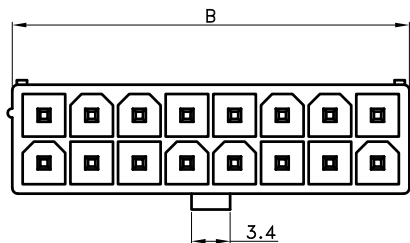
B

A

A



Recommended PCB Layout
General Tolerance ±0.05



SPECIFICATIONS

- Voltage Rating : 250 V AC/DC
- Current Rating : 7A AC/DC
- Withstanding Voltage : 1,500V AC/minute
- Insulation Resistance : 1,000MΩ min
- Temperature Range : - 40°Cto + 105°C
- Contact Resistance : 20mΩ max

WAFER

- Part No. : 2WB1150SP-XX(X XX X)XX
- ① Poles:2-24
- ② Blank : Normal Type(Standard)
S: Holding Type(Spiral Pin)
- ③ Material: Blank : Nylon66 UL94-V2
V0 : Nylon66 UL94-V0
- ④ Plated Type : Blank : 120u"min Tin over 35u"min Ni
(G) : Gold Flash
- ⑤ Color : Blank : Natural Color
BK : Black
BK7C :Black 7C
R : Red(186~185C)
BU : Blue
GY : Grey
OR :Orange
Be :Beige

- Material :
1. Contact : Brass, Tin Plated
2. Base : Refer the above options
- Package : Bag

Poles	Dimensions(mm)	
	A	B
2	-----	5.60±0.30
4	4.20±0.20	9.80±0.30
6	8.40±0.20	14.00±0.30
8	12.60±0.20	18.20±0.30
10	16.80±0.30	22.40±0.40
12	21.00±0.30	26.60±0.40
14	25.20±0.30	30.80±0.40
16	29.40±0.30	35.00±0.40
18	33.60±0.40	39.20±0.50
20	37.80±0.40	43.40±0.50
22	42.00±0.40	47.60±0.50
24	46.20±0.40	51.80±0.50

TOLERANCE	LTR	REVISION RECORD	NAME	DATE	LTR	REVISION RECORD	NAME	DATE
.0	±0.30	增加模擬線 & 剖面視圖	黃科源	2008/11/19	△	ECR-00000160	Tom Lee	2016/08/28
.00	±0.20	增加V0材料 & 合併圖面	王誠賢	2011/07/15	△	依照ECR增加塑膠紅色(186-185)參數	Jiyu_zhi	2016/12/23
.000	±0.10	修改尺寸公差,增加顏色選項	黃廣珍	2014/06/24	△	依照新品需求單20170719,增加塑膠米黃色	藍美娜	2017/07/20
ANGLE		增加電鍍選項	林宛盈	2014/07/07	CUSTOMER			
0°	±1°	增加OR顏色選項	曾慶根	2015/04/28				
.0°	±	增加BK7C顏色選項	曾慶根	2015/05/06				
SHEET	1/1	增加內K料號	吳小平	2016/08/23	Conforms to The RoHS Instruction			

Singatron Enterprise Co., Ltd.

TITLE	4.20mm D/R Power Connectors Wafer		
DWN	Jiyu_zhi	PART NO.	2WB1150SP-XX(X XX X)XX
CHKD	Erin Chou	SCALE	1:1 UNIT: mm
APVD	Tom Shih	SIZE	A3 SHEET:1 OF 1 REV:13
CUSTOMER COPY			