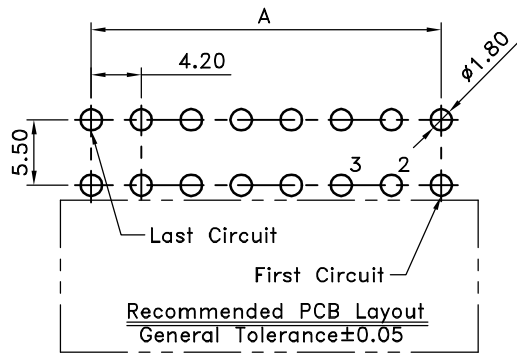


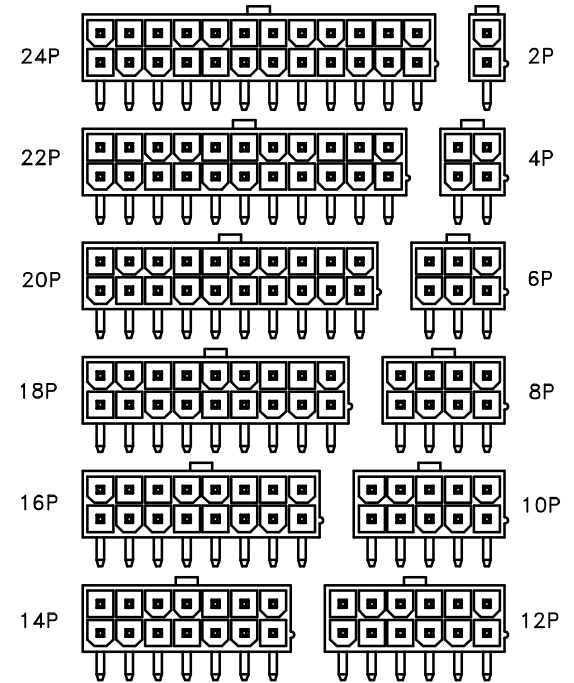
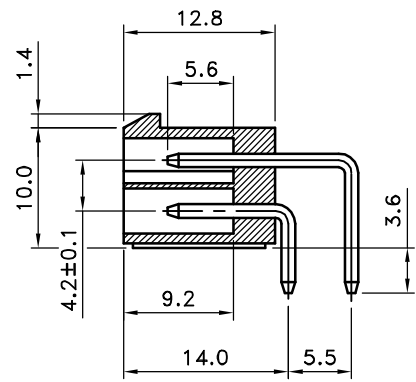
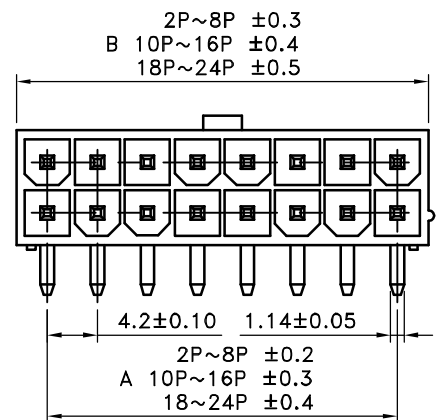
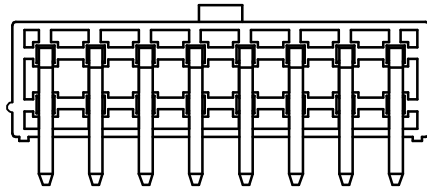
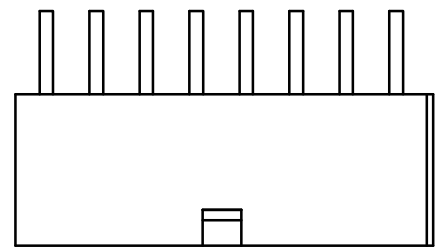
1 2 3 4 5 6 7 8



Poles	Dimensions(mm)	
	A	B
02	----	5.60
04	4.20	9.80
06	8.40	14.00
08	12.60	18.20
10	16.80	22.40
12	21.00	26.60
14	25.20	30.80
16	29.40	35.00
18	33.60	39.20
20	37.80	43.40
22	42.00	47.60
24	46.20	51.80

- SPECIFICATIONS**
- Voltage Rating : 250 V AC/DC
 - Current Rating : 7A AC/DC
 - Withstanding Voltage : 1,500V AC/minute
 - Insulation Resistance : 1,000MΩ min
 - Temperature Range : - 40φJ to + 105φJ
 - Contact Resistance : 20mΩ max

- WAFER**
- Part No. : 2WB1152-XX /X
 - Code NO : ① ②
 - ① Poles : 2-24(Right Angle)
 - ② Package : Blank : Box
/D : Bag
/T : Tray
 - Material : Contact : Brass, Tin Plated
Base : Nylon 66 UL94V-2



TOLERANCE	LTR	REVISION RECORD	NAME	DATE	LTR	REVISION RECORD	NAME	DATE	
.0	±0.30	▲	RoHS Compliant	余秀麗	2007/01/05	▲	依ECR-00000160修改產品敘述	李柏昇	2016/08/08
.00	±0.20	▲	ECR DG 200708-006	黃科源	2007/08/11	▲	包裝方式加入盤裝選項	Tom Lee	2017/08/03
.000	±0.10	▲	ECR DG 200806-001	余秀麗	2008/06/11	▲			
ANGLE		▲	ECR 200807-010	邱森鴻	2008/07/09	CUSTOMER			
0°	±1°	▲	ECR 200811-019	黃科源	2008/11/24				
.0°	±	▲	加註CS MARK位置	吳弘文	2013/03/06				
SHEET	1/1	▲	增加包裝料號選項	黃廣珍	2014/06/19	Conforms to The RoHS Instruction			

Singatron Enterprise Co., Ltd.			
TITLE	4.20mm D/R Power Connectors Wafer		
DWN	Tom Lee	PART NO.	2WB1152-XX /X
CHKD	Erin Chou	SCALE	1:1 UNIT: mm
APVD	Tom Shih	SIZE	A3 SHEET:1 OF 1 REV:a9
CUSTOMER COPY			

F
E
D
C
B
A

F
E
D
C
B
A

1 2 3 4 5 6 7 8