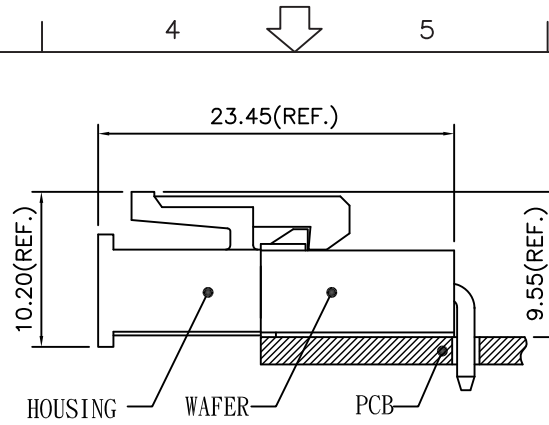


Recommended PCB Layout(Top View)



Assembly state

■ SPECIFICATIONS

- Current Rating : 7A AC/DC
- Withstanding Voltage : 1500V AC/minute
- Insulation Resistance : 1000MΩ min
- Temperature Range : - 40°C to + 105°C
- Contact Resistance : 20mΩ max

■ WAFER

⑩ Part No. : 2WB1152 XX - XX XX XX XX
 ① ② ③ ④ ⑤

⑨ ① TYPE: S: Without Rib
 S2: With Rib

② Poles: 2~6

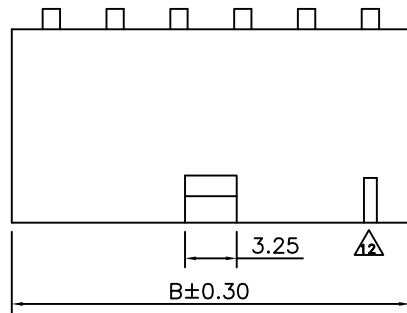
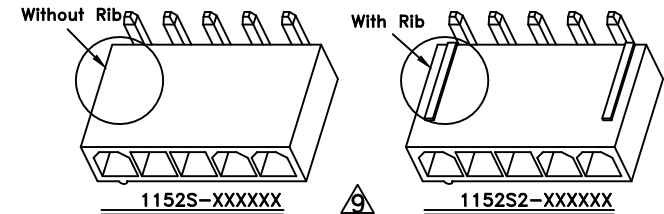
⑩ ③ Material:

Blank: NY 66 UL94V-2
 V0: NY 66 UL94V-0
 PA: PA 46

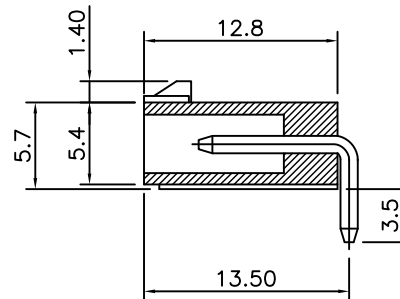
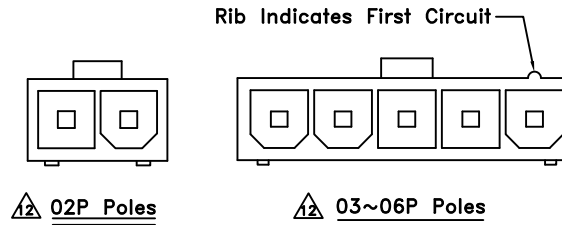
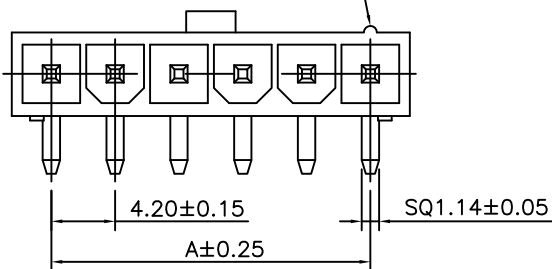
④ Color:

Blank: Nature
 BK: Black

⑩ ⑤ Package: Blank: Bag
 /A: Reel



Rib Indicates First Circuit



Poles	Dimensions(mm)		SAMPLE
	A	B	
2	4.20	9.60	
3	8.40	13.80	
4	12.60	18.00	
5	16.80	22.20	
6	21.00	26.40	

TOLERANCE	LTR	REVISION RECORD	NAME	DATE
.0	±0.30	⑧ 增v0材質	周美麗	2012/01/05
.00	±0.20	⑨ 變更料號	周美麗	2012/10/12
.000	±0.10	⑩ 增加PA46材質&包材選項	張逸維	2013/02/01
ANGLE		⑩ 外觀修正	吳弘文	2013/07/29
0°	±1°	⑫ Pin 1 Rib Indicates 外觀修正, 增加Pole數對照圖	吳弘文	2013/07/30
.0°	±			
SHEET	1/1			

Singatron Enterprise Co., Ltd.

TITLE 4.20mm Crimp Style Connector
 DWN 吳弘文 PART NO. 2WB1152XX-XXXXXXXXX
 CHKD 黃科源 SCALE 1:1 UNIT: mm
 APVD 張育瑞 SIZE: A3 SHEET: 1 OF 1 REV: a12

CUSTOMER COPY