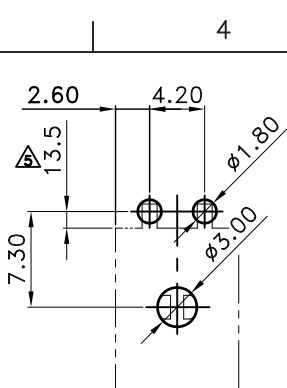


Recommended PCB Layout (Top View)
General tolerance ± 0.05



2 Circuit

Poles	Dimensions (mm)	
	A	B
2	4.20 \pm 0.15	9.60 \pm 0.30
3	8.40 \pm 0.25	13.80 \pm 0.30
4	12.60 \pm 0.25	18.00 \pm 0.30
5	16.80 \pm 0.25	22.20 \pm 0.30
6	21.00 \pm 0.25	26.40 \pm 0.30

SPECIFICATIONS

- Current rating : 7A AC/DC.
- Withstanding voltage : 1500V AC/minute
- Insulation resistance : 1,000M Ω min.
- Temperature range : - 40°C to + 105°C
- Contact resistance : 20m Ω max.

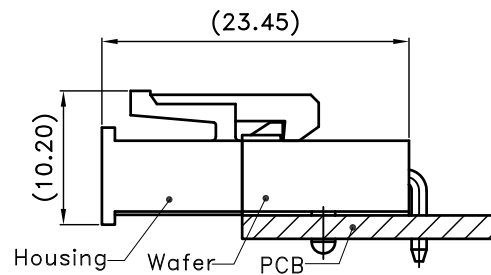
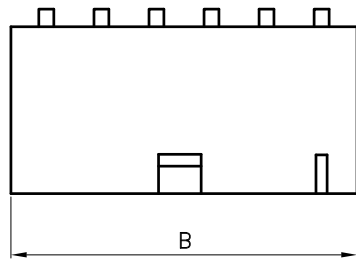
WAFER

- Part No : 2WB 1153S-XX (XX) XX
Code No: ① ② ③

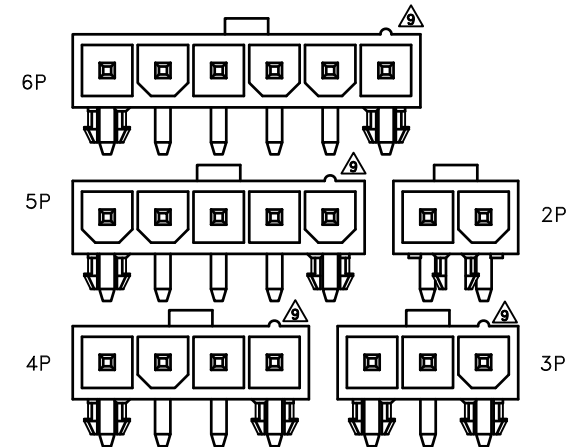
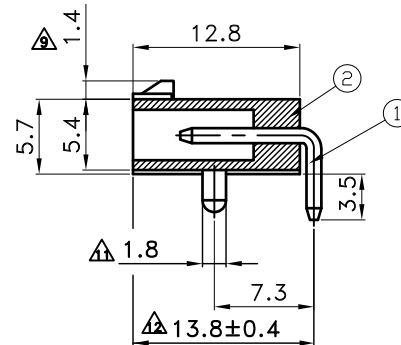
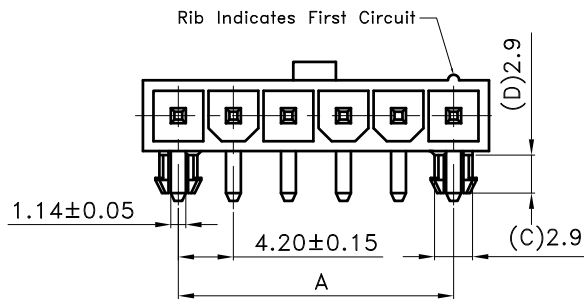
- ① Poles : 2-6 (Single , Right Angle ,with Peg)
- ② Base Material : Blank : Nylon 66 UL94V-2
V0 : Nylon 66 UL94V-0
PA : Nylon 46 UL94V-0
G : Polyamide 6 UL94V-2 (Glow Wire)

- ③ Base Material : Blank : Nature
BK : Black (For V0,V2,PA)
BU : Blue
R : Red (186~185C)
Y : Yellow

- Material : 1.Contact : Brass, Tin Plated
2. Base : Refer Above Options
- Q' ty : 1,000 pcs./Bag



Assembly Layout



TOLERANCE	LTR	REVISION RECORD	NAME	DATE	LTR	REVISION RECORD	NAME	DATE
.0	± 0.30	200902-001	黃科源	2009/02/02		新增G料及顏色,變更公差	林宛盈	2016/05/30
.00	± 0.20	修改額定電流為7A	劉怡萱	2011/04/01		依ECR-00000160修改產品敘述	Tom Lee	2016/08/09
.000	± 0.10	修正俯視圖表示方式	張逸維	2013/03/01		依ECR增加塑膠紅色 (186~185C) 參數	植濟余	2016/12/26
ANGLE		增加V0材料選項	吳弘文	2013/03/04	CUSTOMER			
0°	$\pm 1°$	增加PA46材料選項	張逸維	2013/03/22				
.0°	\pm	3-6P增加筋條,修改1.4尺寸公差	黃廣珍	2014/03/12				
SHEET	1/1	增加顏色: 黑色	鄭小嬌	2015/04/17				

Singatron Enterprise Co., Ltd.

TITLE	4.20mm S/R Power Connectors Wafer			
DWN	Jiyu	PART NO.	2WB1153S-XX(XX)XX	
CHKD	Erin Chou	SCALE	1:1	UNIT: mm
APVD	Tom Shih	SIZE	A3	SHEET: 1 OF 1 REV: a13
CUSTOMER COPY				

Conforms to The RoHS Instruction