

Poles	Dimensions(mm)		
	A	B	C
2	---	5.60	9.00
4	4.20	9.80	13.20
6	8.40	14.00	17.40
8	12.60	18.20	21.60
10	16.80	22.40	25.80
12	21.00	26.60	30.00
14	25.20	30.80	34.20
16	29.40	35.00	38.40
18	33.60	39.20	42.60
20	37.80	43.40	46.80
22	42.00	47.60	51.00
24	46.20	51.80	55.20

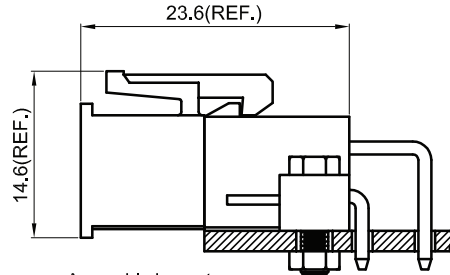
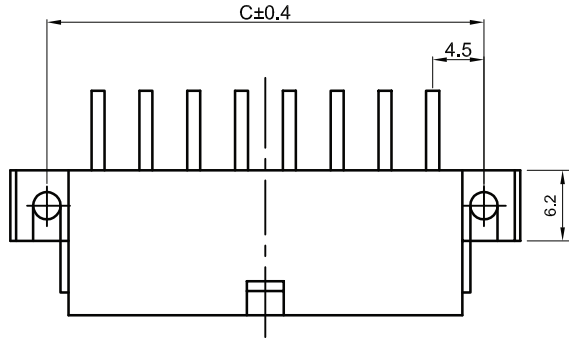
SPECIFICATIONS

- Voltage Rating : 250 V AC/DC
- Current Rating : 7A AC/DC
- Withstanding Voltage : 1,500V AC/minute
- Insulation Resistance : 1,000MΩ min
- Temperature Range : - 40°C to + 105°C
- Contact Resistance : 20mΩ max

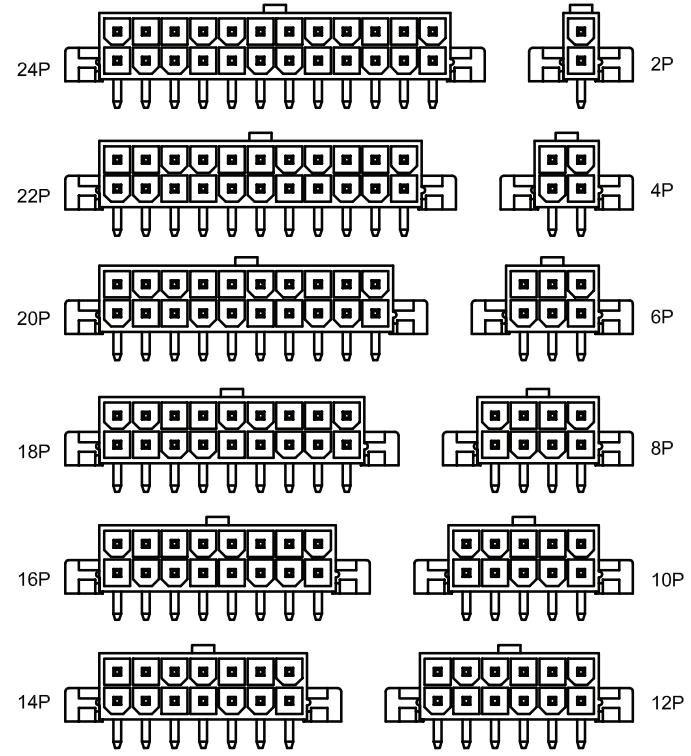
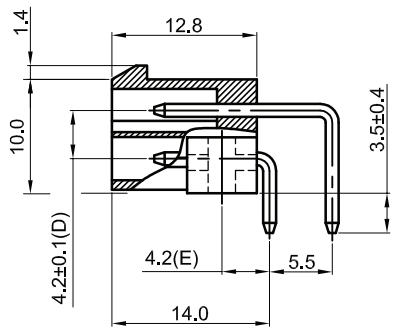
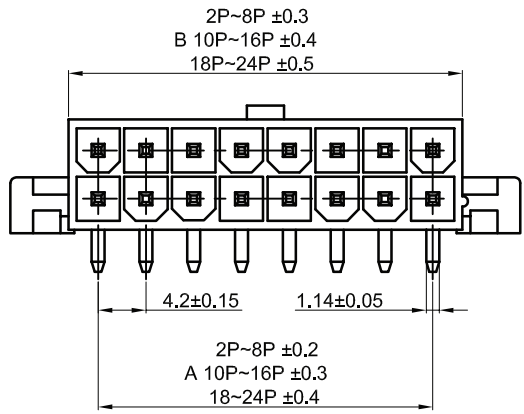
WAFER

- Part No. : 2WB1154-XX
- Poles : 2-24(Right Angle)
- Material : Contact : Brass, Tin Plated
Base : Nylon 66 UL94V-2; Color : Nature
- Q' ty : 1000 pcs./Bag

Recommended PCB Layout



Assembly Layout



TOLERANCE	LTR	REVISION RECORD	NAME	DATE
.0	±0.30	▲ 變更原因遺失	XXX	XX/XX/XX
.00	±0.20	▲ 變更原因遺失	XXX	XX/XX/XX
.000	±0.10	▲ 大幅修改圖面內容	黃科源	08/08/14
ANGLE		▲ 增加剖面視圖	黃科源	08/11/24
0°	±1°	▲ 尺寸對照表遺漏C尺寸	林 暉	09/11/25
.0°	±	▲ C尺寸 尺寸對照表修改	林文泰	10/01/15
SHEET	1/1	▲ 依ECR-00000160修改產品敘述	李柏昇	16/08/08

Singatron Enterprise Co., Ltd.

TITLE	4.20mm D/R Power Connectors Wafer			
DWN	李柏昇	PART NO.	2WB1154-XX	
CHKD	周慈雲	SCALE	1:1	UNIT: mm
APVD	張育瑞	SIZE	A3	SHEET: 1 OF 1
		REV:	a7	
CUSTOMER COPY				