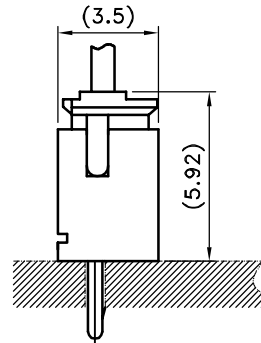
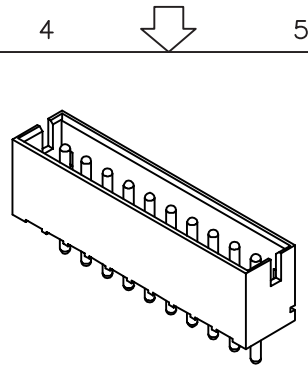
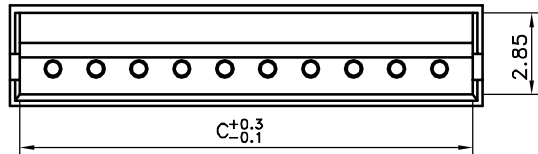
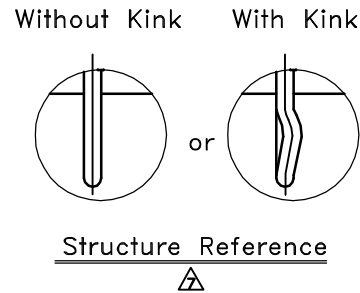
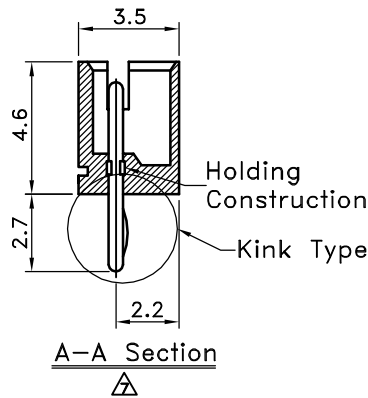
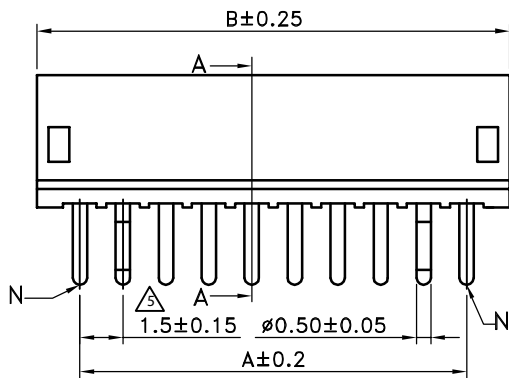


Recommended PCB Layout (Top View)



RECOMMENDED ASSEMBLY DIM.



- SPECIFICATIONS
  - Voltage Rating : 50V AC/DC
  - Current Rating : 1A AC/DC
  - Withstanding Voltage : 500V AC/minute
  - Insulation Resistance : 500M Ω min
  - Temperature Range : - 25 to + 85
  - Contact Resistance : 20m Ω max
- WAFER
  - Part No. : 2WB1174-XX(XXX X XX)

- ① Poles : 2~13 (Straight)
- ② Base Material :
  - PAN : PA46 UL94V0
  - Color : Nature
  - NH : Nylon 66 UL94V-0 (Non - Halogen)
  - Color : Beige
- △ ③ Contact Plated:
  - Blank : Tin Plated
  - M : Tin Plated (Matte Sn)
- ④ Kink Type:
  - Blank : Kink (Standard)
  - NK : Without Kink
- Material : Contact : Brass, Plated : Refer the above options
- Base : Refer the above options
- Packing : Bag

Poles	Dimensions (mm)		
	A	B	C
2	1.50	4.50	3.60
3	3.00	6.00	5.10
4	4.50	7.50	6.60
5	6.00	9.00	8.10
6	7.50	10.50	9.60
7	9.00	12.00	11.10
8	10.50	13.50	12.60
9	12.00	15.00	14.10
10	13.50	16.50	15.60
11	15.00	18.00	17.10
12	16.50	19.50	18.60
13	18.00	21.00	20.10

Circuit	Kink					
	Circuit No.					
	1	2	3	4	5	6~13
2	KinK	KinK				
3	KinK		KinK			
4	KinK			KinK		
5~13	N	KinK			KinK	N

TOLERANCE	LTR	REVISION RECORD	NAME	DATE	LTR	REVISION RECORD	NAME	DATE
.0	±0.30	△	余秀麗	2005/05/15	△	取消鍍金選項	周慈雲	2012/08/01
.00	±0.20	△	葉志紅	2005/06/08	△			
.000	±0.10	△	林文彬	2005/06/08	△			
ANGLE		△	黃科源	2006/01/05				
0°	±1°	△	黃科源	2008/09/25				
.0°	±	△	陳淑璋	2010/08/10				
SIGFT	1/1	△	呂聖才	2017/07/16				

Singatron Enterprise Co., Ltd.

TITLE	1.50mm Crimp Style Connectors Wafer Straight Type			
DWN	周慈雲	PART NO.	2WB1174-XX(XXXXXX)	
CHKD	黃科源	SCALE	1:1	UNIT: mm
APVD	張貞瑞	SIZE	A3	SHEET: 1 OF 1 REV: a8

CUSTOMER COPY

CUSTOMER  
Conforms to The RoHS Instruction