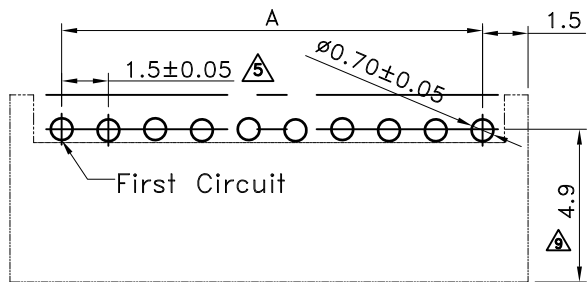
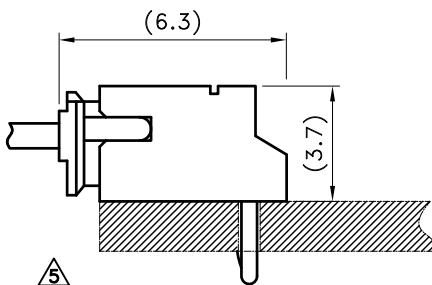
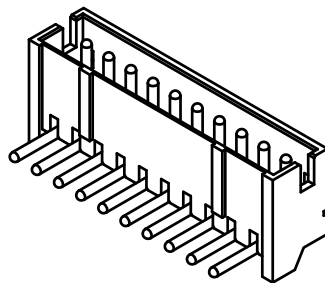


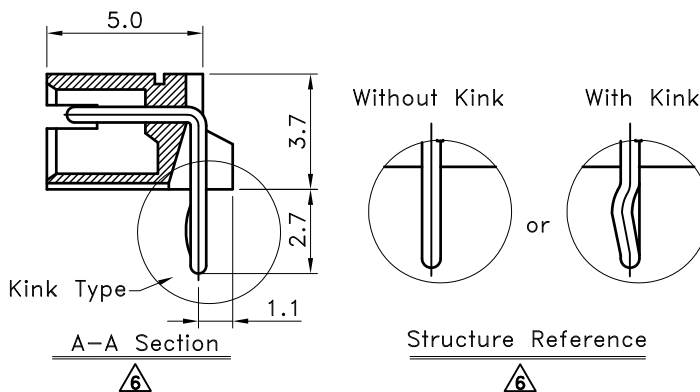
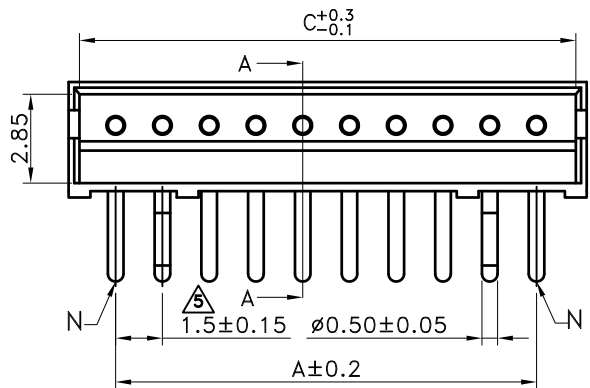
1 2 3 4 5 6 7 8



Recommended PCB Layout(Top View)



RECOMMENDED ASSEMBLY DIM.



- SPECIFICATIONS
 - Voltage Rating : 50V AC/DC
 - Current Rating : 1A AC/DC
 - Withstanding Voltage : 500V AC/minute
 - Insulation Resistance : 500MΩ min
 - Temperature Range : - 25℃ to + 85℃
 - Contact Resistance : 20mΩ max
- WAFER
 - Part No. : 2WB1174R-XX(XXX X XX)

Code No.

- ① Poles : 2~13(Right Angle)
- ② Base Material :
 - ⑧ Blank : Nylon 66 UL94V-0 Color : Nature
 - PAN : PA46 UL94V-0 Color : Nature
 - NH : Nylon 66 UL94V-0 (Non - Halogen)
 - Color : Beige
- ③ Contact Plated:
 - Blank : Tin Plated
 - M : Tin Plated(Matte Sn)
- ④ Kink Type:
 - Blank : Kink (Standard)
 - NK : Without Kink
- Material : Contact : Brass, Plated : Refer the above options
- Base : Refer the above options
- Packing : Bag

Poles	Dimensions(mm)		
	A	B	C
2	1.50	4.50	3.60
3	3.00	6.00	5.10
4	4.50	7.50	6.60
5	6.00	9.00	8.10
6	7.50	10.50	9.60
7	9.00	12.00	11.10
8	10.50	13.50	12.60
9	12.00	15.00	14.10
10	13.50	16.50	15.60
11	15.00	18.00	17.10
12	16.50	19.50	18.60
13	18.00	21.00	20.10

Circuit	Kink					
	1	2	3	4	5	6~13
2	KinK	KinK				
3	KinK		KinK			
4	KinK			KinK		
5~13	N	KinK			KinK	N

TOLERANCE	LTR	REVISION RECORD	NAME	DATE	LTR	REVISION RECORD	NAME	DATE
.0	±0.30	XXXXXXXXXXXX	余秀麗	2005/05/15	△	加註標準材質 Blank : Nylon 66 UL94V-0	吳弘文	2013/07/18
.00	±0.20	ECR 200506-005	龔志紅	2005/06/08	△	更正 PCB Layout 位置尺寸	吳弘文	2016/03/09
.000	±0.10	ECR 200803-008	黃科源	2008/03/07	△			
ANGLE		ECR 200809-015	黃科源	2008/09/25	△			
0°	±1°	按原圖之尺寸及公差修改	陳泓璋	2010/08/10	△			
.0°	±	合併圖面,增加Kink,鍍層選項	吳弘文	2012/07/16	△			
SHEET	1/1	取消鍍金選項	周慈雲	2012/08/01	△			

Singatron Enterprise Co., Ltd.

TITLE	1.50mm Crimp Style Connectors Wafer Right Angle Type			
DWN	吳弘文	PART NO.	2WB1174R-XX	
CHKD	周慈雲	SCALE	1:1	UNIT: mm
APVD	張育瑞	SIZE	A3	SHEET: 1 OF 1 REV: a9
CUSTOMER COPY				

CUSTOMER
Conforms to The RoHS Instruction