

| REV. | ECN.NO | REVISIONS               | REV.DRAWN | DATE       |
|------|--------|-------------------------|-----------|------------|
| C    | 0B129  | 包装数量由1k改为1.5k, 加无卤, 换图框 | hejihuai  | 2009/03/13 |

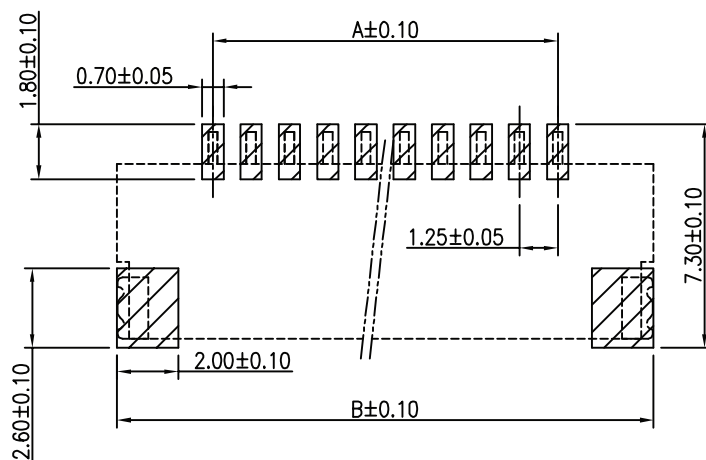
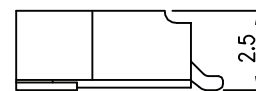
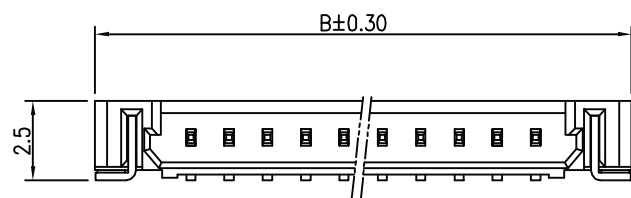
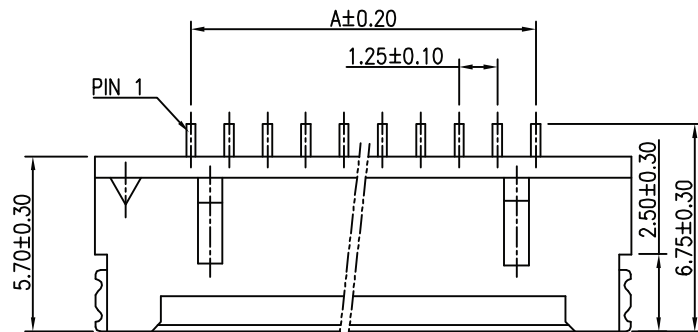
**SPECIFICATION**

- . Voltage Rating : 100V AC/DC
- . Current Rating : 1A AC/DC
- . Withstanding Voltage : 500V AC/Minute
- . Insulation Resistance : 500M $\Omega$  Min.
- . Temperature Range : -25 $^{\circ}$ C~+85 $^{\circ}$ C
- . Contact Resistance : 20m $\Omega$  Max.

**NOTES:**

1. Material: Base: High Temp. Thermoplastic, UL94V-0  
Contact: Copper Alloy, Tin Plated  
Ear: Copper Alloy, Tin Plated
2. Q'ty : 1,500 Pcs/Reel
3. Part No.  
2WB1235R-XXWB-XXXX-XX

- Poles: 2~30  
Blank: PA9T  
H1: PPA  
L1: LCP
- Blank: Normal  
NH: Non-halogen  
Blank: Nature  
Black: Black



Recommended PCB Layout

| Poles | Dimensions(mm) |       | Poles | Dimensions(mm) |       |
|-------|----------------|-------|-------|----------------|-------|
|       | A              | B     |       | A              | B     |
| 02    | 1.25           | 7.50  | 17    | 20.00          | 26.25 |
| 03    | 2.50           | 8.75  | 18    | 21.25          | 27.50 |
| 04    | 3.75           | 10.00 | 19    | 22.50          | 28.75 |
| 05    | 5.00           | 11.25 | 20    | 23.75          | 30.00 |
| 06    | 6.25           | 12.50 | 21    | 25.00          | 31.25 |
| 07    | 7.50           | 13.75 | 22    | 26.25          | 32.50 |
| 08    | 8.75           | 15.00 | 23    | 27.50          | 33.75 |
| 09    | 10.00          | 16.25 | 24    | 28.75          | 35.00 |
| 10    | 11.25          | 17.50 | 25    | 30.00          | 36.25 |
| 11    | 12.50          | 18.75 | 26    | 31.25          | 37.50 |
| 12    | 13.75          | 20.00 | 27    | 32.50          | 38.75 |
| 13    | 15.00          | 21.25 | 28    | 33.75          | 40.00 |
| 14    | 16.25          | 22.50 | 29    | 35.00          | 41.25 |
| 15    | 17.50          | 23.75 | 30    | 36.25          | 42.50 |
| 16    | 18.75          | 25.00 |       |                |       |

UNLESS OTHERWISE SPECIFIED TOLERANCES

DECIMALS: X :±0.5  
X.X :±0.3  
X.XX :±0.2

ANGLES: X :±2 $^{\circ}$   
X.X :±1 $^{\circ}$

Singatron Enterprise Co., Ltd.

|       |                               |          |                       |
|-------|-------------------------------|----------|-----------------------|
| TITLE | 1.25mm Crimp Style Connectors |          |                       |
| DWN   | hejihuai 2009/03/13           | PART NO. | 2WB1235R-XXWB-XXXX-XX |
| CHKD  | hejihuai 2009/03/13           | SCALE    | 1:1                   |
| APVD  |                               | UNIT:    | mm                    |
|       |                               | SIZE:    | A3                    |
|       |                               | SHEET:   | 1 OF 1                |
|       |                               | REV:     | c                     |

CUSTOMER COPY

符合环境管理物质