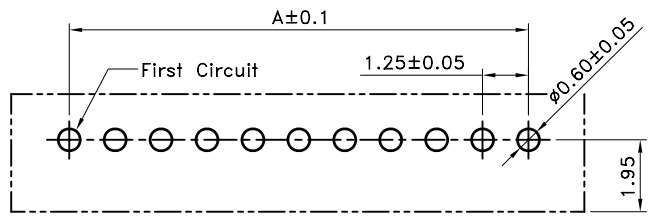
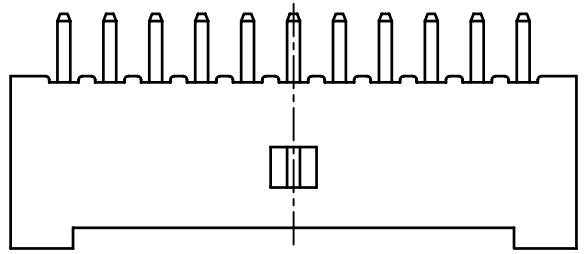
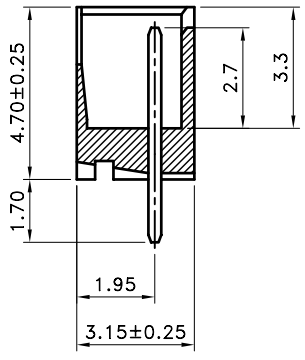
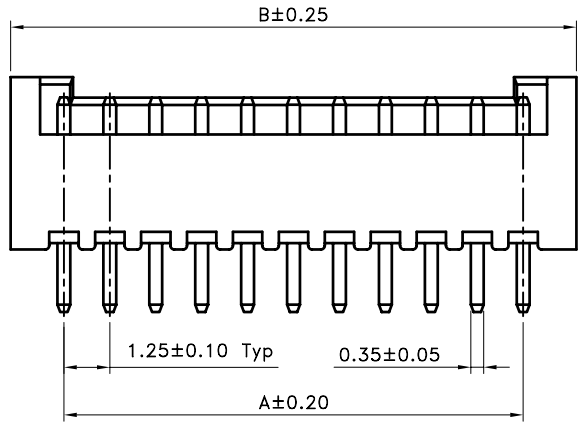
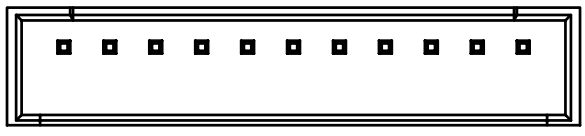


1 2 3 4 5 6 7 8



Recommended P.C.B Layout(Top View)



■ SPECIFICATIONS

- Voltage Rating : 100V AC/DC
- Current Rating : 1A AC/DC
- Withstanding Voltage : 500V AC/minute
- Insulation Resistance : 100MΩ min.
- Temperature Range : - 25℃ to + 85℃
- Contact Resistance : 20mΩ max.

■ WAFER

- Part No. : 2WB1251-XX
- Poles : 2-15(Straight)
- Material : Contact , Tin plated  
Base : Nylon 66 UL94V-0 ;  
Color : Light Brown
- Q' ty : 1,000 pcs./PVC Box

Poles	Dimensions(mm)	
	A	B
2	1.25	4.25
3	2.50	5.50
4	3.75	6.75
5	5.00	8.00
6	6.25	9.25
7	7.50	10.50
8	8.75	11.75
9	10.00	13.00
10	11.25	14.25
11	12.50	15.50
12	13.75	16.75
13	15.00	18.00
14	16.25	19.25
15	17.50	20.50

TOLERANCE	LTR	REVISION RECORD	DATE
.0	±0.3	ECR	RoHs Complied 06/04/01
.00	±0.2	ECR	200807-028 08/07/31
.000	±0.1		
ALL	±		
ANGLE			
0°	±		
.0°	±		

Singatron Enterprise Co., Ltd.

TITLE	1.25mm Crimp Style Connectors Wafer		
DWN	黃科源	PART NO.	2WB1251-XX
CHKD		SCALE	1:1 UNIT: mm
APVD	林宗	SIZE: A3	SHEET: 1 OF 1 REV: a1
CUSTOMER COPY			

1 2 3 4 5 6 7 8