

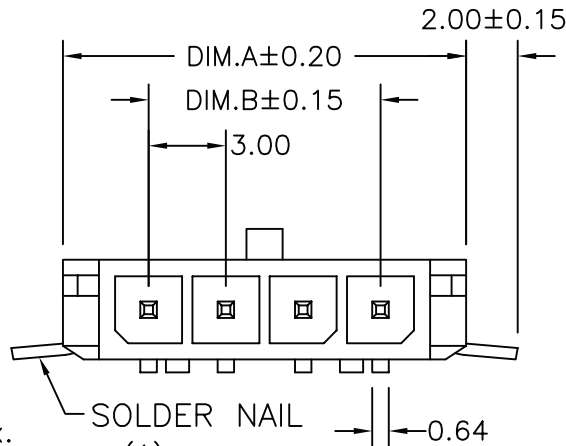
2WB13650-XXPRT-C-SMT-PB Series

FEATURES:

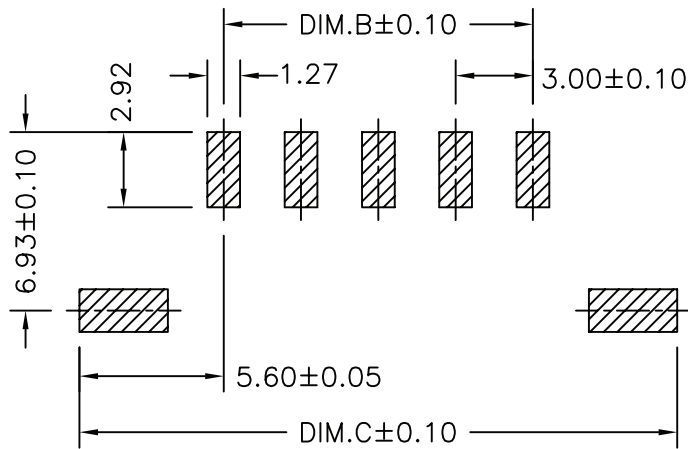
- . 2-12 Circuits
- . Housing: High temperature LCP, UL 94V-0
- . Plating: Tin, select Gold
- . Contact: Brass

SPECIFICATIONS:

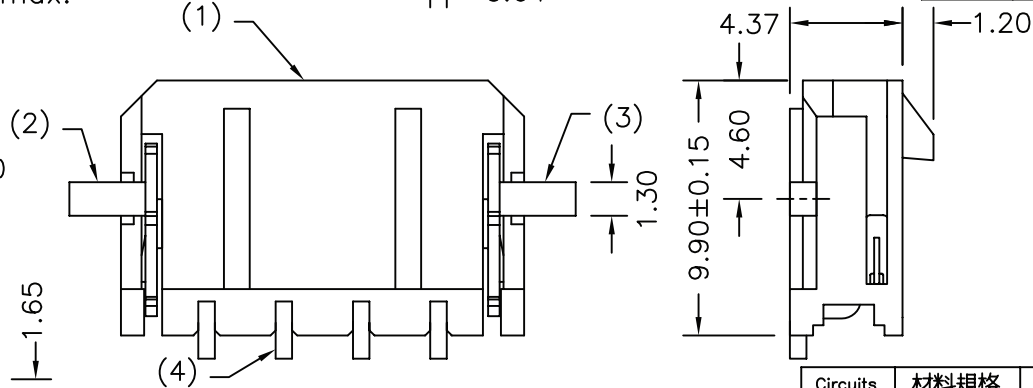
- . Current rating: 5A AC, DC
- . Voltage rating: 250V AC, Maximum
- . Temperature range: -40°C ~ +105°C
- . Contact resistance: Initial Value/10mΩ max.
- . Insulation resistance: 1000 MΩ min
- . Withstand Voltage: 1500V AC/minute



Circuits	Dim.A	Dim.B	Dim.C
2	9.65	3.00	14.20
3	12.65	6.00	17.20
4	15.65	9.00	20.20
5	18.65	12.00	23.20
6	21.65	15.00	26.20
7	24.65	18.00	29.20
8	27.65	21.00	32.20
9	30.65	24.00	35.20
10	33.65	27.00	38.20
11	36.65	30.00	41.20
12	39.65	33.00	44.20



P.C.B. LAYOUT



編號	材料規格	材質	電鍍	數量
(1)	13650-XXP-A	LCP(協佑17101BK)		1
(2)	13650-SN-3T-L-T-T-PB	黃銅 C2680 H級	100u"錫	1
(3)	13650-SN-3T-R-T-T-PB	黃銅 C2680 H級	100u"錫	1
(4)	13045-TR-S-SMT-T-T-PB-XX	黃銅 C2600 3/4H級	100u"錫	1
(5)	十二行真空盒(請參考上述表格)			
(6)	13650-XXP-T&R-R (一摞500PCS)			1/500

Circuits	材料規格	敘述	數量
2	十二行真空盒	一行28PCS, 一盒336PCS	1/336
3	十二行真空盒	一行21PCS, 一盒252PCS	1/252
4	十二行真空盒	一行17PCS, 一盒204PCS	1/204
5	十二行真空盒	一行14PCS, 一盒168PCS	1/168
6	十二行真空盒	一行12PCS, 一盒144PCS	1/144
7	十二行真空盒	一行11PCS, 一盒132PCS	1/132
8	十二行真空盒	一行10PCS, 一盒120PCS	1/120
9	十二行真空盒	一行9PCS, 一盒108PCS	1/108
10	十二行真空盒	一行8PCS, 一盒96PCS	1/96
11	十二行真空盒	一行7PCS, 一盒84PCS	1/84
12	十二行真空盒	一行7PCS, 一盒84PCS	1/84

UNLESS OTHERWISE SPECIFIED TOLERANCES

DECIMALS: X :±0.5
X.X :±0.3
X.XX :±0.2

ANGLES: X :±2°
X.X :±1°

Singatron Enterprise Co., Ltd.

TITLE 3.00mm Pitch, Micro Fit, R/A, SMT
DWN 2006.01.11 PART NO. 2WB13650-XXPRT-C-SMT-PB
CHKD SCALE 1:1 UNIT: mm
APVD SIZE: A3 SHEET: 1 OF 1 REV: A

CUSTOMER COPY