

# 2WB13650-XXPST-B-SMT-PB Series

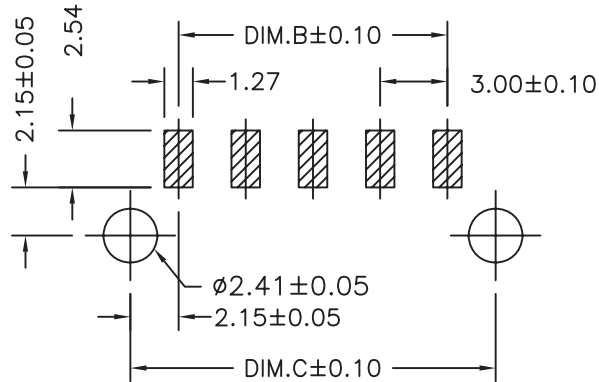
## FEATURES:

- . 2-12 Circuits
- . Housing: High temperature LCP, UL 94V-0
- . Plating: Tin, select Gold
- . Contact: Brass

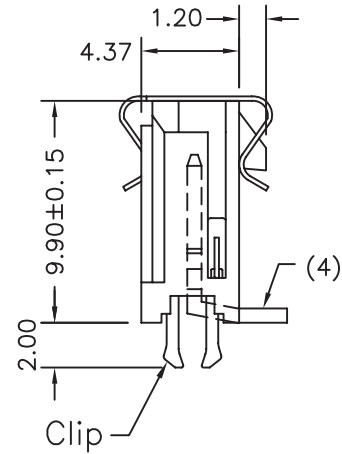
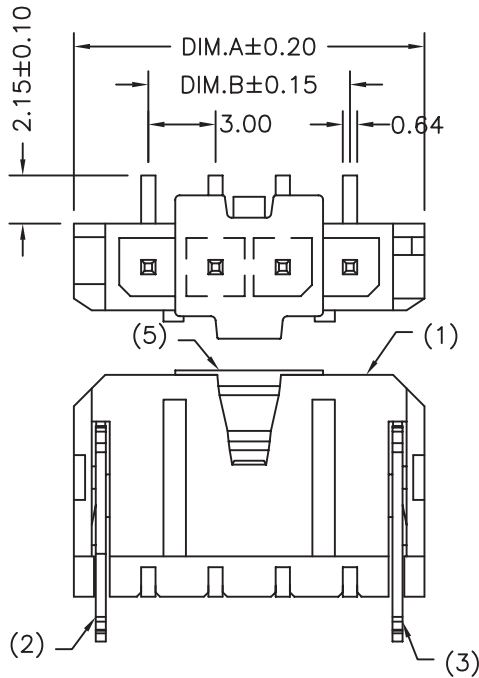
## SPECIFICATIONS:

- . Current rating: 5A AC, DC
- . Voltage rating: 250V AC, Maximum
- . Temperature range: -40°C ~ +105°C
- . Contact resistance: Initial Value/10mΩ max.
- . Insulation resistance: 1000 MΩ min
- . Withstand Voltage: 1500V AC/minute

Circuits	Dim.A	Dim.B	Dim.C
2	9.65	3.00	7.30
3	12.65	6.00	10.30
4	15.65	9.00	13.30
5	18.65	12.00	16.30
6	21.65	15.00	19.30
7	24.65	18.00	22.30
8	27.65	21.00	25.30
9	30.65	24.00	28.30
10	33.65	27.00	31.30
11	36.65	30.00	34.30
12	39.65	33.00	37.30



P.C.B. LAYOUT



UNLESS OTHERWISE SPECIFIED TOLERANCES		Singatron Enterprise Co., Ltd.			
DECIMALS:	ANGLES:	TITLE	3.00mm Pitch, Micro Fit, Vertical SMT		
X : ±0.5	X : ±2°	DWN	2006.06.16	PART NO. 2WB13650-XXPST-B-SMT-PB	
X.X : ±0.3	X.X : ±1°	CHKD	SCALE 1:1	UNIT: mm	④
X.XX : ±0.2		APVD	SIZE: A3	SHEET: 1 OF 1	REV: A
<b>CUSTOMER COPY</b>					