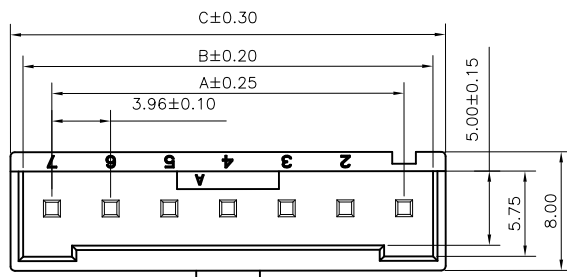


REV	ECN.NO.	REVISIONS	REV.DRAWN	DATE
A		初版发行	Yuqilong	08-06/11

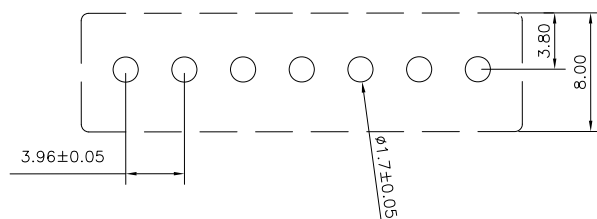
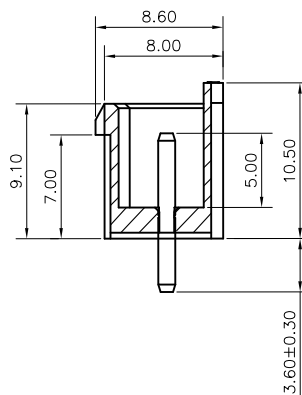
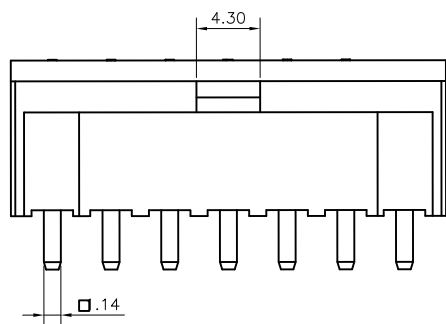


SPECIFICATIONS

- . Voltage Rating : 300V AC/DC
- . Current Rating : 10A AC/DC
- . Withstanding Voltage : 1500V AC/minute
- . Insulation Resistance ; 1000MΩ min
- . Temperature Range : -25°C to +105°C
- . Contact Resistance : 20mΩ max

WAFER

- . Part No. : 2WB1391-XX
- . Material : Nylon 66 UL 94V-0
Color:Light Ivory
- . Contact : Brass, Tin Plated
- . Q'ty : 1,000 pcs/Bag



Recommad P.C.B Layout

POLES	DIMENSIONS		
	A	B	C
2	3.96	7.86	9.56
3	7.92	11.82	13.52
4	11.88	15.78	17.48
5	15.84	19.74	21.44
6	19.80	23.70	25.40
7	23.76	27.66	29.36
8	27.72	31.62	33.32
9	31.68	35.58	37.28
10	35.64	39.54	41.24

X.±	0.50	X°.±	5.0°	Singatron Enterprise Co., Ltd.			
.X±	0.30	.X°.±	2.0°				
.XX±	0.20	.XX°.±	1.0°	TITLE	3.96mm Board to Wire Connector		
.XXX±	0.10	.XXX°.±	0.5°	DWN	Yuqilong	PART NO. 2WB1391-XX	
				CHKD	XUWEI	SCALE 1:1	UNIT: mm
				APVD	XUWEI	SIZE: A3	SHEET:1 OF 1 REV: A
CUSTOMER COPY							