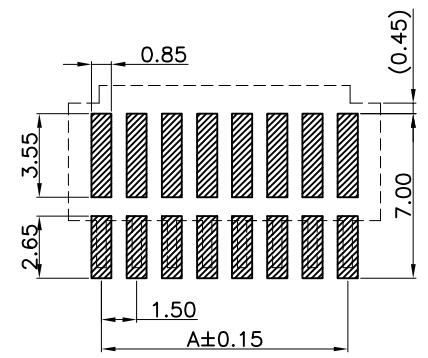
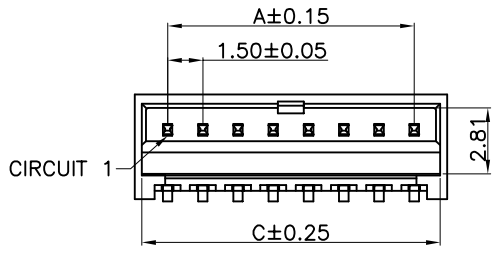
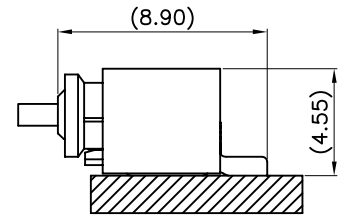
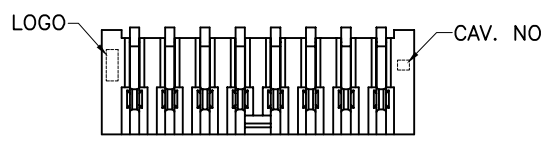
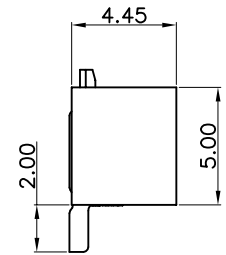
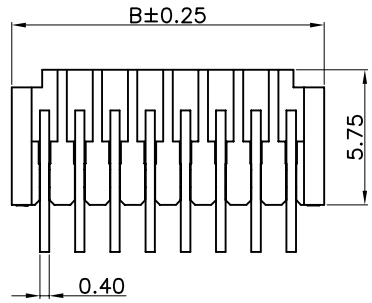


COLOR TABLE	
(VOID)	CREAM
C0	WHITE
C1	BLACK
C2	BROWN
C3	RED
C4	ORANGE
C5	YELLOW
C6	GREEN
C7	BLUE
C8	PURPLE
C9	GREY
CW	DARK RED

REV	ECN NO.	DESCRIPTION	DATE	APP'D
C/4	N/A	UPDATE DRAWING	09/01/16	Paul
C/5	N/A	UPDATE DRAWING	12/17/16	Paul
D/0	N/A	ADD DIMENSION(REF.) & MODIFY NOTES	04/19/17	Paul



TOLERANCE: ±0.05  
RECOMMENDED P.C.B. Layout  
TOP VIEW



Mating Condition (REF.)

PIN	DIM. (mm)			PIN	DIM. (mm)		
	A	B	C		A	B	C
02	-	4.30	3.70	11	15.00	17.80	17.20
03	3.00	5.80	5.20	12	16.50	19.30	18.70
04	4.50	7.30	6.70	13	18.00	20.80	20.20
05	6.00	8.80	8.20	14	19.50	22.30	21.70
06	7.50	10.30	9.70	15	21.00	23.80	23.20
07	9.00	11.80	11.20	16	22.50	25.30	24.70
08	10.50	13.30	12.70	17	24.00	26.80	26.30
09	12.00	14.80	14.20	18	25.50	28.30	27.70
10	13.50	16.30	15.70				

- NOTES:
- MATERIAL:  
INSULATION(STANDARD): NYLON 9T, UL94V-0; COLOR: SEE NOTE 4  
INSULATION(HALOGEN FREE): NYLON 9T, UL94V-0; COLOR: SEE NOTE 4  
CONTACT: COPPER ALLOY
  - CONTACT FINISH: (VOID)--MATTE-TIN PLATED OVER NICKEL  
GO--GOLD FLASH OVER NICKEL
  - MATES WITH: 2WB1502 SERIES HOUSING
  - ORDERING CODE: 2WB1502WNR-NPS-\*-\*--A  

NO. OF PINS	TAPE REEL PACKING
02: 2 PINS	INSULATION MATERIAL:
03: 3 PINS	(VOID)--STANDARD
...	NL--HALOGEN FREE
SMT TYPE	INSULATION COLOR:
CONTACT FINISH SEE NOTE 2	SEE COLOR TABLE

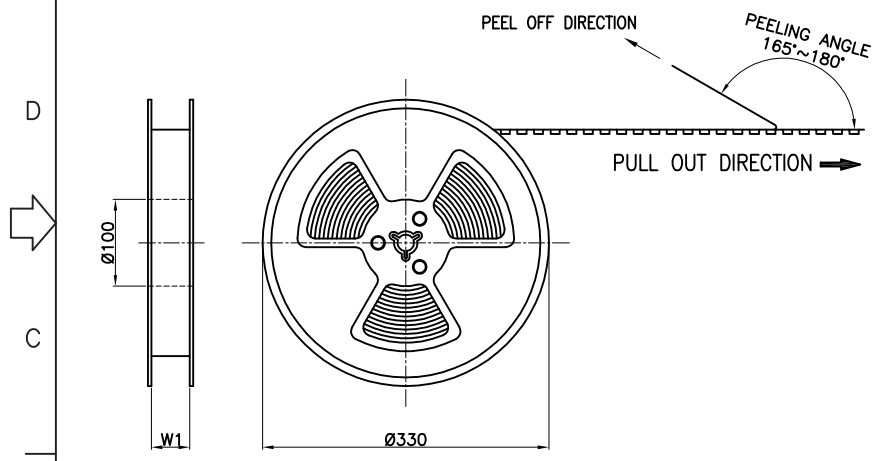
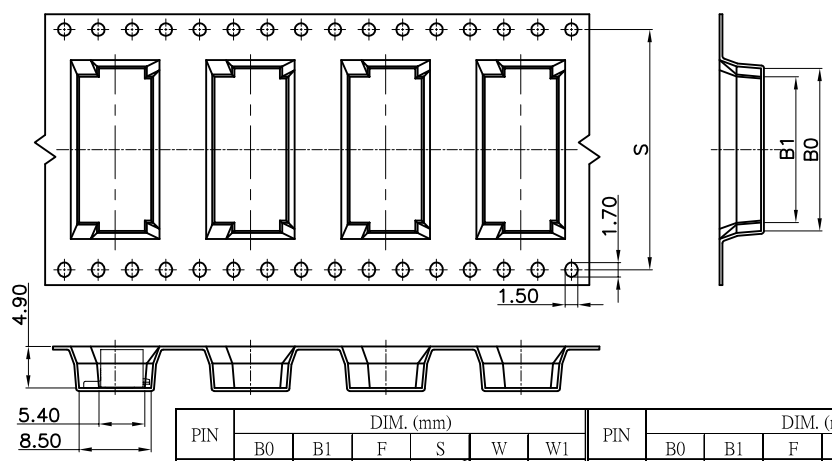
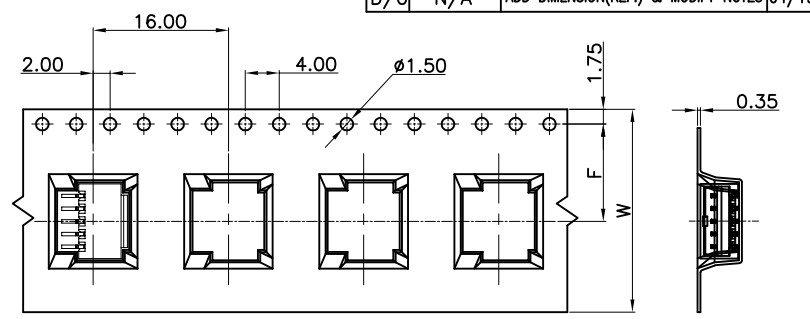
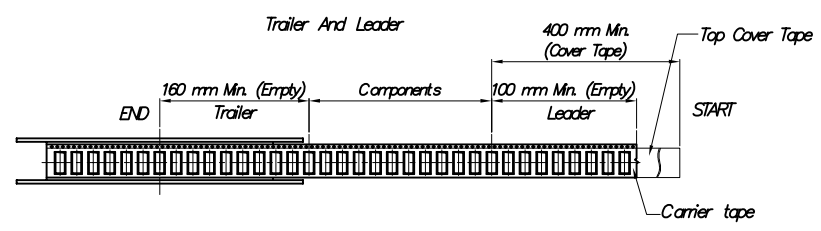
TOLERANCE  
X. ±0.30  
X.X ±0.25  
X.XX ±0.15  
X.XXX ±0.08  
ANGULA 3'  
UNLESS OTHERWISE SPECIFIED

Singatron Enterprise Co., Ltd.

TITLE	WIRE TO BOARD, PITCH 1.50mm, RIGHT ANGLE, SMT TYPE, ASSEMBLY		
DWN	Sivan Kong	PART NO. 2WB1502WNR-NPX-X-X-A	
CHKD	Paul Chen	SCALE 1:1	UNIT: mm
APVD	Wayne Lai	SIZE: A3	SHEET: 1 OF 1 REV: D/0

CUSTOMER COPY

REV	ECN NO.	DESCRIPTION	DATE	APP'D
C/4	N/A	UPDATE DRAWING	09/01/16	Paul
C/5	N/A	UPDATE DRAWING	12/17/16	Paul
D/0	N/A	ADD DIMENSION(REF.) & MODIFY NOTES	04/19/17	Paul



PIN	DIM. (mm)						PIN	DIM. (mm)					
	B0	B1	F	S	W	W1		B0	B1	F	S	W	W1
02	4.70	2.75	7.50	/	16.00	17.50	11	18.20	16.25	14.20	28.40	32.00	33.50
03	6.20	4.25	7.50	/	16.00	17.50	12	19.70	17.75	14.20	28.40	32.00	33.50
04	7.70	5.75	11.50	/	24.00	25.50	13	21.20	19.25	20.20	40.40	44.00	45.50
05	9.20	7.25	11.50	/	24.00	25.50	14	22.70	20.75	20.20	40.40	44.00	45.50
06	10.70	8.75	11.50	/	24.00	25.50	15	24.20	22.25	20.20	40.40	44.00	45.50
07	12.20	10.25	11.50	/	24.00	25.50	16	25.70	23.75	20.20	40.40	44.00	45.50
08	13.70	11.75	11.50	/	24.00	25.50	17	27.20	25.25	20.20	40.40	44.00	45.50
09	15.20	13.25	11.50	/	24.00	25.50	18	28.70	26.75	20.20	40.40	44.00	45.50
10	16.70	14.75	14.20	28.40	32.00	33.50							

- NOTES:
- 10 SPROCKET HOLE PITCH CUMULATIVE TOLERANCE  $\pm 0.20$
  - CARRIER CAMBER IS WITHIN 1 mm IN 250 mm
  - THE TOTAL TEARING CONTROL RANGE OF TOP COVER TAPE IS 10~130g, REFERENCE SPEC: EIA-481-D
  - PEELING SPEED: 300mm/MINUTES, REFERENCE SPEC: EIA-481-D
  - MATERIAL: TRANSPARENT CONDUCTIVE POLYSTYRENE ALLOY.(UP-5000)
  - ALL DIMENSIONS MEET EIA-481-D REQUIREMENTS
  - THICKNESS :  $0.35 \pm 0.05$ mm
  - COMPONENT LOAD PER 13" REEL : 800 PCS

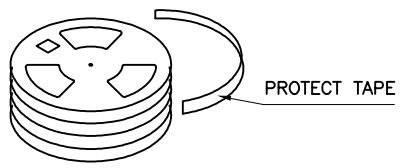
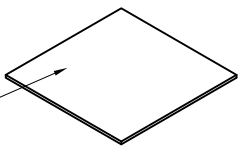
TOLERANCE  
X.  $\pm 0.30$   
X.X  $\pm 0.25$   
X.XX  $\pm 0.15$   
X.XXX  $\pm 0.08$   
ANGULA 3'  
UNLESS OTHERWISE SPECIFIED

Singatron Enterprise Co., Ltd.

TITLE	WIRE TO BOARD, PITCH 1.50mm, RIGHT ANGLE, SMT TYPE, ASSEMBLY		
DWN	Siuwen Kong	PART NO.	2WB1502WNR-NPX-X-X-A
CHKD	Paul Chen	SCALE	1:1 UNII: mm
APVD	Wayne Lai	SIZE:	A3 SHEET: 1 OF 1 REV: D/0
<b>CUSTOMER COPY</b>			

REV	ECN NO.	DESCRIPTION	DATE	APP'D
C/4	N/A	UPDATE DRAWING	09/01/16	Paul
C/5	N/A	UPDATE DRAWING	12/17/16	Paul
D/0	N/A	ADD DIMENSION(REF.) & MODIFY NOTES	04/19/17	Paul

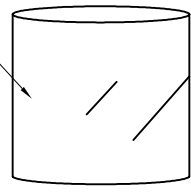
PARTITION BOARD 2 PCS



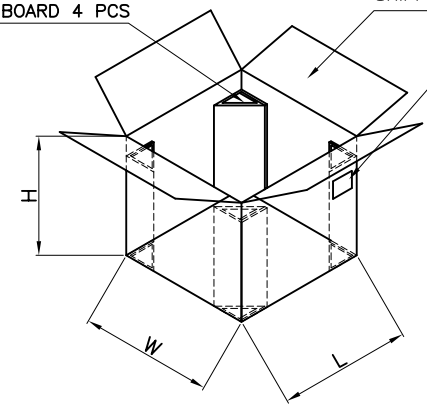
PROTECT TAPE



INNER BAG

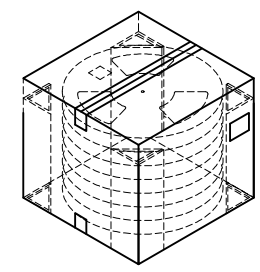


TRIANGLE BOARD 4 PCS



SHIPPING CARTON

TABEL



PACKING MATERIAL		PACKING CAPACITY			
PART NAME	DIM. (mm)	PIN	PCS/RE	RE/BC	PCS/BC
REEL	Ø330*(W+0.5)	02~03	800	12	9,600
CARTON	350*350*340	04~09	800	9	7,200
		10~12	800	7	5,600
		13~18	800	6	4,800

Singatron Enterprise Co., Ltd.

TITLE	WIRE TO BOARD, PITCH 1.50mm, RIGHT ANGLE, SMT TYPE, ASSEMBLY			
DWN	<i>Siuwen Kong</i>	PART NO. 2WB1502WNR-NPX-X-X-A		
CHKD	<i>Paul Chen</i>	SCALE 1:1	UNIT: mm	
APVD	<i>Wayne Lai</i>	SIZE: A3	SHEET: 1 OF 1	REV: D/0

TOLERANCE  
 X. ±0.30  
 X.X ±0.25  
 X.XX ±0.15  
 X.XXX ±0.08  
 ANGULA 3°  
 UNLESS OTHERWISE SPECIFIED

CUSTOMER COPY