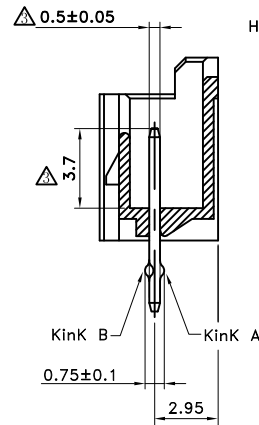
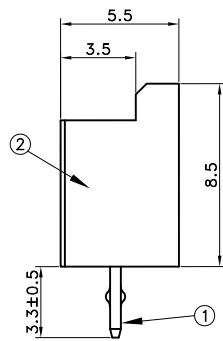
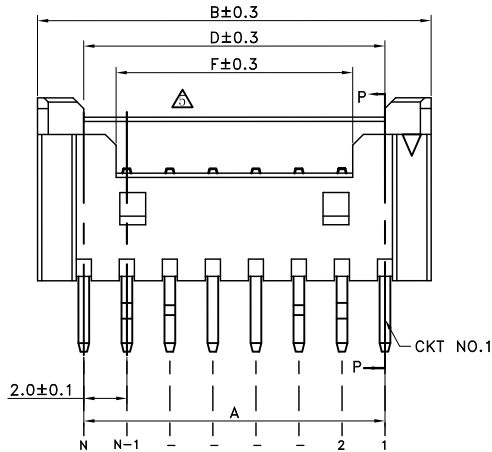
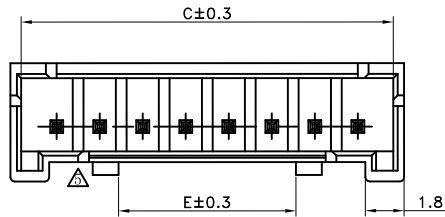
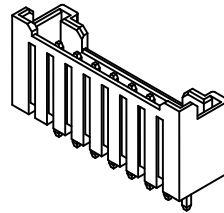
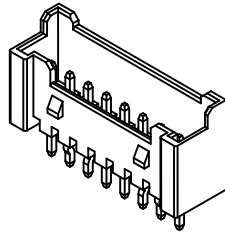
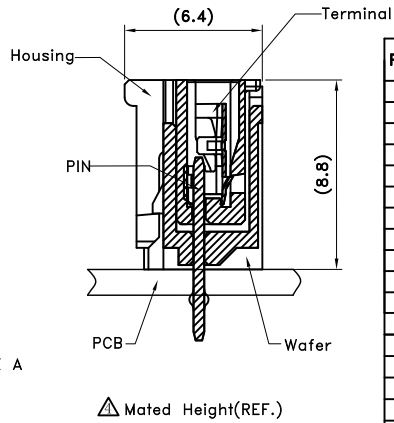


Recommended PCB Layout



SECTION:P-P



■ SPECIFICATIONS

- Voltage Rating : 125V AC/DC
- Current Rating : 2A AC/DC
- Withstanding Voltage : 1,000V AC/minute
- Insulation Resistance : 1,000M Ω min.
- Temperature Range : - 40℃ to + 105℃
- Contact Resistance : 20m Ω max.

■ WAFER

- Part No.: 2WB2002-XX(XX)

- ① Poles : 4~20(Straight)
- ② Color:
  - △ Blank: Beige
  - R: Red

- Material :
  - △ Contact : Brass, Tin Plated
  - Base : PA66 UL94V-0
- Product Specification : 2WB2002-XX SDRS
- Mating Housing : 2WB2002H-XX
- Mating Terminal : 2WT2002H-T
- △ • Q' ty : 1,000 Pcs/Bag Packing

Poles	PIN No	1	2	3	4	5	6	N-2	N-1	N
6 PIN Over		-	A	B	-	-	-	B	A	-
6 PIN		-	A	B	B	A	-			
5 PIN		A	B	-	B	A				
4 PIN		A	B	B	A					

Poles	Dimensions (mm)					
	A	B	C	D	E	F
4	6.0±0.20	10.3	9.3	6.0	4.25	6.6
5	8.0±0.20	12.3	11.3	8.0	4.25	7.0
6	10.0±0.20	14.3	13.3	10.0	4.25	7.0
7	12.0±0.20	16.3	15.3	12.0	4.25	7.0
8	14.0±0.20	18.3	17.3	14.0	8.25	11.0
9	16.0±0.20	20.3	19.3	16.0	8.25	11.0
10	18.0±0.20	22.3	21.3	18.0	8.25	11.0
11	20.0±0.25	24.3	23.3	20.0	8.25	11.0
12	22.0±0.25	26.3	25.3	22.0	8.25	11.0
13	24.0±0.25	28.3	27.3	24.0	8.25	11.0
14	26.0±0.25	30.3	29.3	26.0	8.25	11.0
15	28.0±0.25	32.3	31.3	28.0	8.25	11.0
16	30.0±0.25	34.3	33.3	30.0	8.25	11.0
17	32.0±0.25	36.3	35.3	32.0	8.25	11.0
18	34.0±0.25	38.3	37.3	34.0	8.25	11.0
19	36.0±0.25	40.3	39.3	36.0	8.25	11.0
20	38.0±0.25	42.3	41.3	38.0	8.25	11.0

TOLERANCE	LTR	REVISION RECORD	NAME	DATE	LTR	REVISION RECORD	NAME	DATE
.0	±0.30	△ 200905-009	林文泰	2009-05-14	△			
.00	±0.20	△ 200911-001	林文泰	2009-11-18	△			
.000	±0.10	△ 增加尺寸	金飛	2010-09-28	△			
ANGLE		△ 包裝表示錯誤	劉怡萱	2010-09-28				
0°	±1°	△ 依實物修改視圖與倒角, 修改部分尺寸管控	林宛盈	2013-08-20				
.0°	±	△ 增加紅色顏色選項	曾慶根	2015-10-12				
SHFFT	1/1	△						

Singatron Enterprise Co., Ltd.

TITLE	2.0mm Crimp Style Connectors Wafer(Straight)			
DWN	曾慶根	PART NO.	2WB2002-XX(XX)	
CHKD	周家慶	SCALE	1:1	UNIT: mm
APVD	張育瑞	SIZE: A3	SHEET: 1 OF 1	REV: A6

CUSTOMER COPY

CUSTOMER  
Conforms to The RoHS Instruction