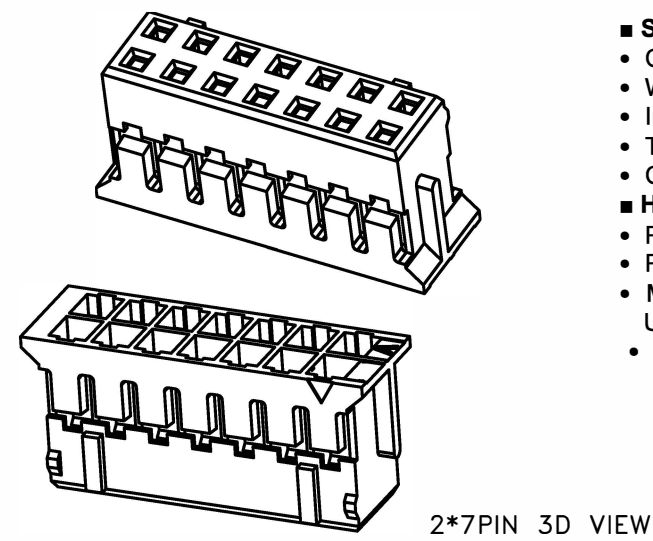
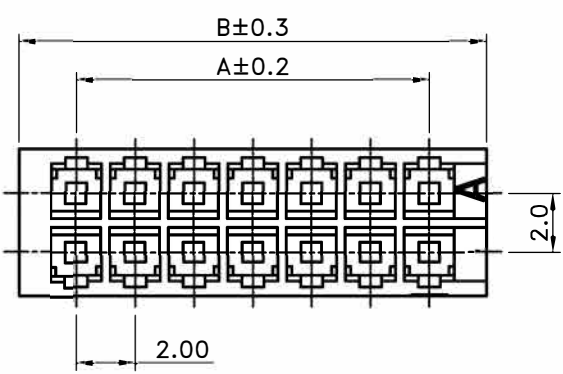


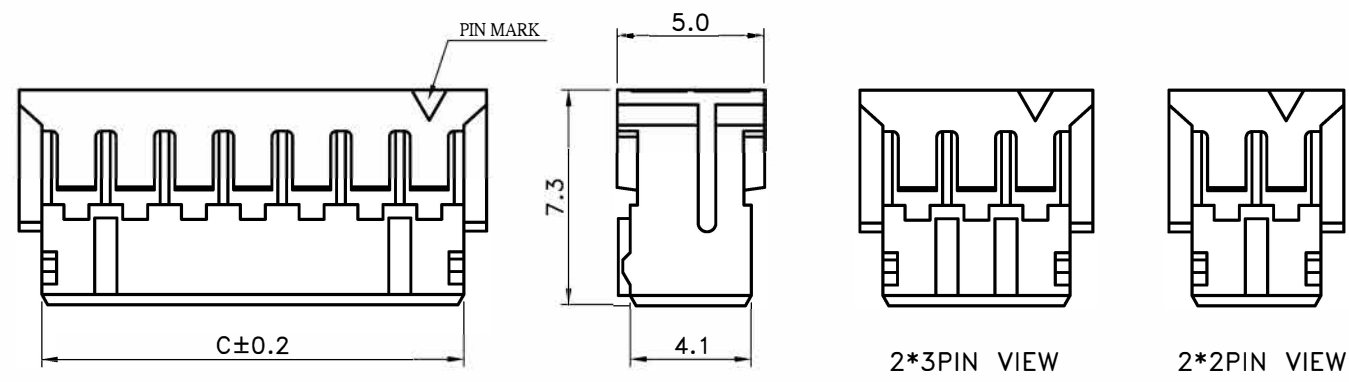
1 2 3 4 5 6 7 8

F
E
D
C
B
A



- **SPECIFICATIONS**
- Current Rating : 3A AC/DC
 - Withstanding Voltage : 800V AC/minute
 - Insulation Resistance : 1,000MΩ min
 - Temperature Range : - 25°C to + 85°C
 - Contact Resistance : 20mΩ max
- **HOUSING**
- Part No. : 2WB2007-XXX2
 - Poles : 2x2 - 20x2
 - Material : Nylon 66
UL94V-0
 - Q' ty: 1,000 pcs./Bag

Poles	Dimensions(mm)		
	A	B	C
2x2	2.0	5.9	4.35
3x2	4.0	7.9	6.35
4x2	6.0	9.9	8.35
5x2	8.0	11.9	10.35
6x2	10.0	13.9	12.35
7x2	12.0	15.9	14.35
8x2	14.0	17.9	16.35
9x2	16.0	19.9	18.35
10x2	18.0	21.9	20.35
11x2	20.0	23.9	22.35
12x2	22.0	25.9	24.35
13x2	24.0	27.9	26.35
14x2	26.0	29.9	28.35
15x2	28.0	31.9	30.35
16x2	30.0	33.9	32.35
17x2	32.0	35.9	34.35
18x2	34.0	37.9	36.35
19x2	36.0	39.9	38.35
20x2	38.0	41.9	40.35



TOLERANCE	LTR	REVISION RECORD	NAME	DATE
.0	±0.30	▲ 200808-019	黃科源	08/08/29
.00	±0.20	▲ 200811-001	黃科源	08/11/03
.000	±0.10	▲ 外觀修正	林豐盛	11/01/27
		▲ 新增17x2~20x2規格	劉國紅	14/10/08
ANGLE				
0°	±1°	▲		
.0°	±	▲		
SHEET	1/1	▲		

Singatron Enterprise Co., Ltd.

TITLE	2.00mm Crimp Style Connectors			
DWN	劉國紅	PART NO. 2WB2007-XXX2		
CHKD	周家慶	SCALE 1:1	UNIT: mm	⊕ ⊖
APVD	曾明華	SIZE: A3	SHEET: 1 OF 1	REV: a4
CUSTOMER COPY				

1 2 3 4 5 6 7 8