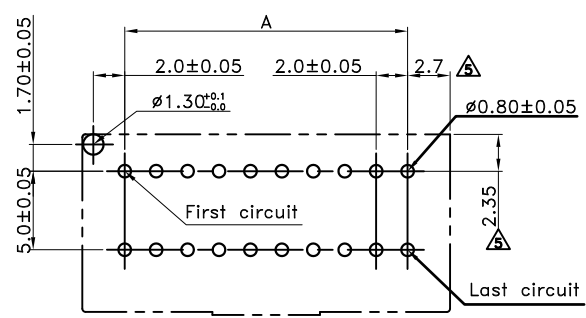
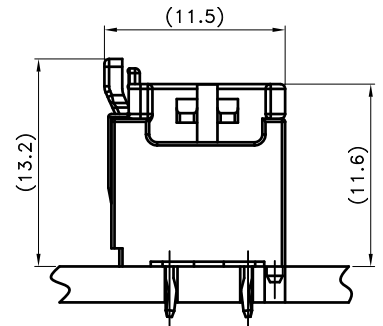
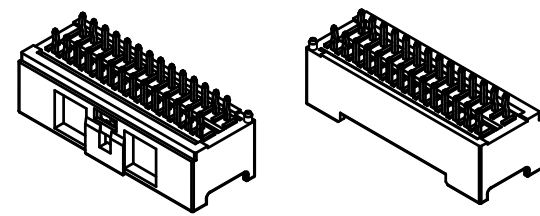
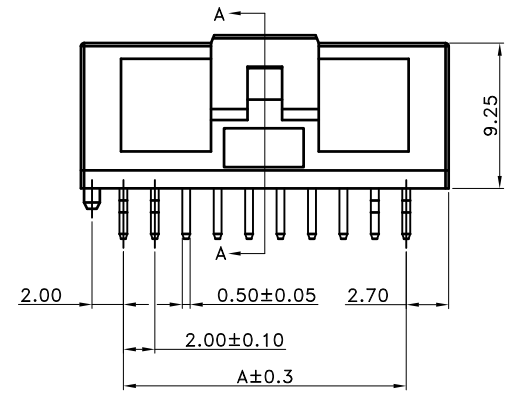
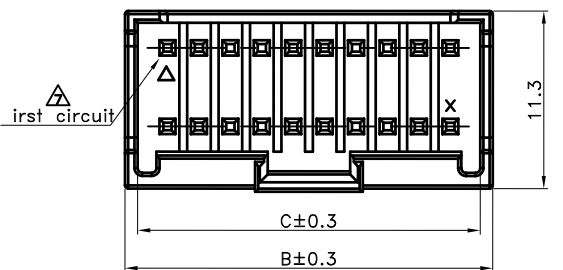


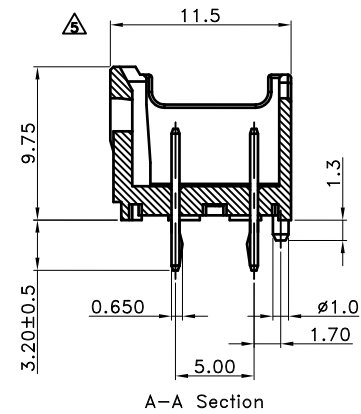
1 2 3 4 5 6 7 8



Recommended PCB Layout(Top View)



Mated Drawing (REF.)



A-A Section

■ SPECIFICATIONS

- Voltage Rating : 250V AC/DC
- Current Rating : 3.0A AC/DC(22#AWG)
- Withstanding Voltage : 1,000V AC/minute
- Insulation Resistance : 1,000MΩ min.
- Temperature Range : - 25°C to + 85°C
- △ Contact Resistance : 20mΩ max.

■ WAFER

• Part No. : 2WB2018-XXx2 XX
① ②

- ① Poles : 8~40(Straight, Double Row)
- △ ② Plated : Blank : Tin Plated
G0 : Gold Plated

- △ • Material : Pin : Brass
Base : (8~28PIN)PBT+15%G.F UL94V-0
(30~40PIN)PBT+30%G.F UL94V-0

- Mating Housing:2WB2017-XXx2
- Mating Terminal:2WT2017-T
- Packing : Tube Packing

Poles	Dimensions (mm)		
	A	B	C
4x2	6.0	11.4	9.8
5x2	8.0	13.4	11.8
6x2	10.0	15.4	13.8
7x2	12.0	17.4	15.8
8x2	14.0	19.4	17.8
9x2	16.0	21.4	19.8
10x2	18.0	23.4	21.8
11x2	20.0	25.4	23.8
12x2	22.0	27.4	25.8
13x2	24.0	29.4	27.8
14x2	26.0	31.4	29.8
15x2	28.0	33.4	31.8
16x2	30.0	35.4	33.8
17x2	32.0	37.4	35.8
18x2	34.0	39.4	37.8
19x2	36.0	41.4	39.8
20x2	38.0	43.4	41.8

TOLERANCE	LTR	REVISION RECORD	NAME	DATE	LTR	REVISION RECORD	NAME	DATE
.0	±0.30	△ ECR 200905-010		09/05/14	△	增加鍍金選項	吳弘文	13/11/08
.00	±0.20	△ ECR DG200907-006		09/07/23	△			
.000	±0.10	△ ECR DG200911-003	王磊	09/11/11	△			
ANGLE		△ ECR 201004-007	黃科源	10/04/29	△			
0°	±1°	△ ECR 修改接觸阻抗&數值表	林豐盛	11/03/29	△			
.0°	±	△ 變更產品材料說明	周美麗	12/06/25	△			
SHEET	1/1	△ 變更產NO.1位置說明及三角標方向	周美麗	12/07/09	△			

Singatron Enterprise Co., Ltd.

TITLE	2.0mm Wire to Board CONNECTORS WAFER(STRAIGHT DOUBLE ROW)			
DWN	吳弘文	PART NO.	2WB2018-XXx2XX	
CHKD	黃科源	SCALE	1:1	UNIT: mm
APVD	張育瑞	SIZE	A3	SHEET: 1 OF 1 REV: a8

CUSTOMER
Conforms to The RoHS Instruction

CUSTOMER COPY

1 2 3 4 5 6 7 8