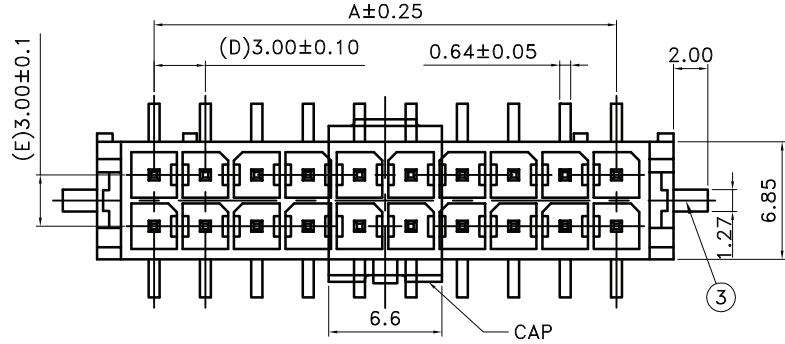
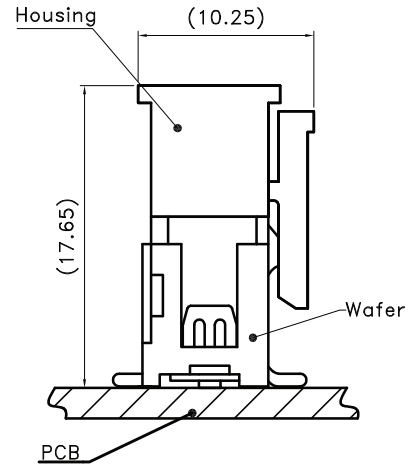


△ Recommended PCB Layout
General Tolerance ± 0.05

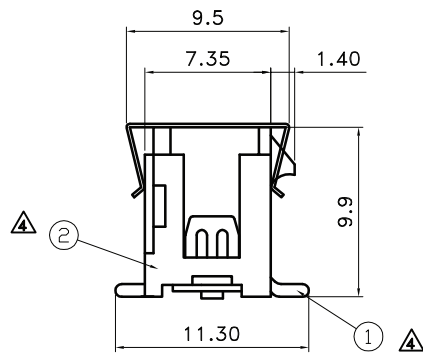


$B \pm 0.3$

| Poles | Dimensions(mm) | | | Poles | Dimensions(mm) | | |
|-------|----------------|-------|-------|-------|----------------|-------|-------|
| | A | B | C | | A | B | C |
| 2 | -- | 6.65 | 11.20 | 14 | 18.00 | 24.65 | 29.20 |
| 4 | 3.00 | 9.65 | 14.20 | 16 | 21.00 | 27.65 | 32.20 |
| 6 | 6.00 | 12.65 | 17.20 | 18 | 24.00 | 30.65 | 35.20 |
| 8 | 9.00 | 15.65 | 20.20 | 20 | 27.00 | 33.65 | 38.20 |
| 10 | 12.00 | 18.65 | 23.20 | 22 | 30.00 | 36.65 | 41.20 |
| 12 | 15.00 | 21.65 | 26.20 | 24 | 33.00 | 39.65 | 44.20 |



△ Assemble state

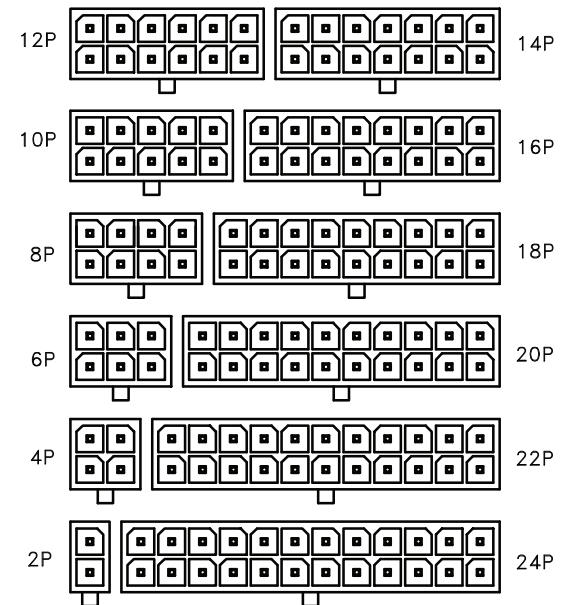


■ SPECIFICATIONS

- Current Rating : 5A AC/DC
- Withstanding Voltage : 1,500V AC/minute
- Insulation Resistance : 1,000M Ω min.
- Temperature Range : -40 $^{\circ}$ C ~ +105 $^{\circ}$ C
- Contact Resistance : 20m Ω max.

■ WAFER

- Part No. : 2WB3028V-XX
- Poles : 2 - 24 (Straight ; With Solder Nail)
- Material : 1. Contact : Brass , Tin Plated
2. Base : High Temp. LCP
3. Solder Nail : Brass , Tin Plated.
Thickness : 0.2mm
- Q' ty : 300 pcs./Reel



| TOLERANCE | LTR | REVISION RECORD | NAME | DATE |
|---------------|-----------------|---|------|------------|
| .0 | ± 0.30 | △ 200606-004 | 林文彬 | 06/06/21 |
| .00 | ± 0.20 | △ 200703-001 | 黃科源 | 07/03/08 |
| .000 | ± 0.10 | △ 200811-013 | 黃科源 | 08/11/20 |
| ANGLE | | △ 環境溫度變更-40 $^{\circ}$ C to +105 $^{\circ}$ C | 劉怡萱 | 2011/02/09 |
| 0 $^{\circ}$ | $\pm 1^{\circ}$ | △ 依ECR-00000160修改產品敘述 | 李柏昇 | 2016/08/02 |
| .0 $^{\circ}$ | \pm | △ | | |
| SHEET | 1/1 | △ | | |

Singatron Enterprise Co., Ltd.

TITLE 3.00mm SMT Double-Row Wire to Board Power Connector Series.

DWN 李柏昇 PART NO. 2WB3028V-XX
CHKD 周慈雲 SCALE 1:1 UNIT: mm
APVD 張育瑞 SIZE: A3 SHEET: 1 OF 1 REV: a5

CUSTOMER COPY