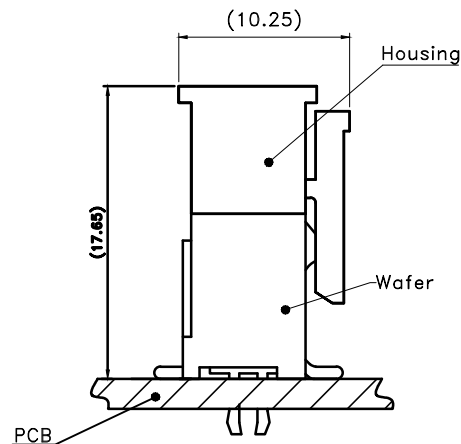
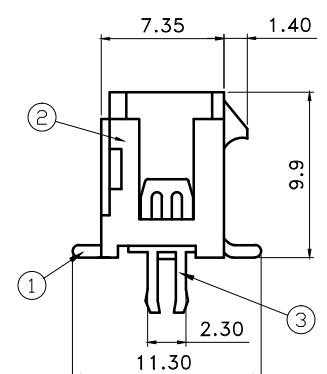


Poles	Dimensions(mm)			Poles	Dimensions(mm)		
	A	B	C		A	B	C
2	--	6.65	4.30	14	18.00	24.65	22.30
4	3.00	9.65	7.30	16	21.00	27.65	25.30
6	6.00	12.65	10.30	18	24.00	30.65	28.30
8	9.00	15.65	13.30	20	27.00	33.65	31.30
10	12.00	18.65	16.30	22	30.00	36.65	34.30
12	15.00	21.65	19.30	24	33.00	39.65	37.30



Assemble state

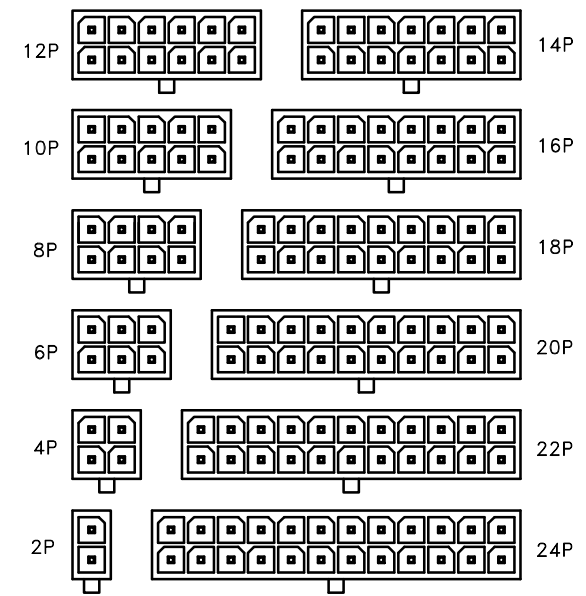


SPECIFICATIONS

- Current Rating : 5A AC/DC
- Withstanding Voltage : 1,500V AC/minute
- Insulation Resistance : 1,000M Ω min.
- Temperature Range : -40 $^{\circ}$ C ~ +105 $^{\circ}$ C
- Contact Resistance : 20m Ω max.

WAFER

- Part No. : 2WB3029V-XX
- Poles : 2 - 24(Straight ; With Mount Clips)
- Material : 1.Contact : Brass , Tin Plated
2.Base : High Temp. LCP
3.Clip:Brass , Tin Plated
- Q' ty : 300 pcs./Reel



TOLERANCE	LTR	REVISION RECORD	NAME	DATE
.0	± 0.30	200606-004	林文彬	06/06/21
.00	± 0.20	200811-013	黄科源	08/11/20
.000	± 0.10	200907-001	黄科源	09/07/01
ANGLE				
0°	$\pm 1^{\circ}$	客户需求面上的环境温度变化-40℃ to +105℃	劉怡莹	2011/02/09
.0°	\pm	尺寸表修正	吳弘文	2013/02/20
.0°	\pm	依ECR-00000160修改產品敘述	李柏昇	2016/08/02
SHEET	1/1			

Singatron Enterprise Co., Ltd.				
TITLE	3.00mm SMT Double-Row Wire to Board Power Connector Series.			
DWN	李柏昇	PART NO. 2WB3029V-XX		
CHKD	簡鴻彬	SCALE 1:1	UNIT: mm	
APVD	張育瑞	SIZE: A3	SHEET: 1 OF 1	REV: a6
CUSTOMER COPY				