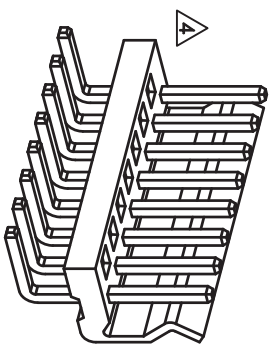
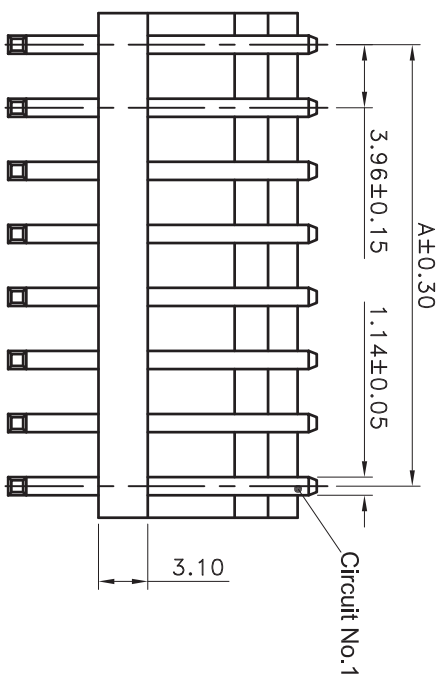
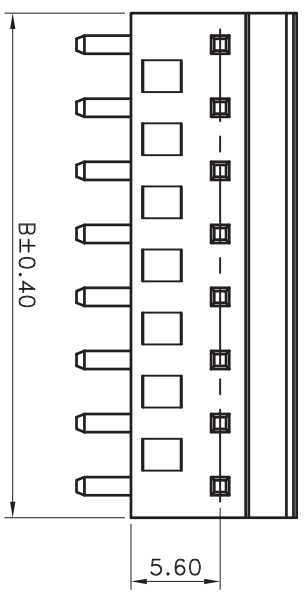
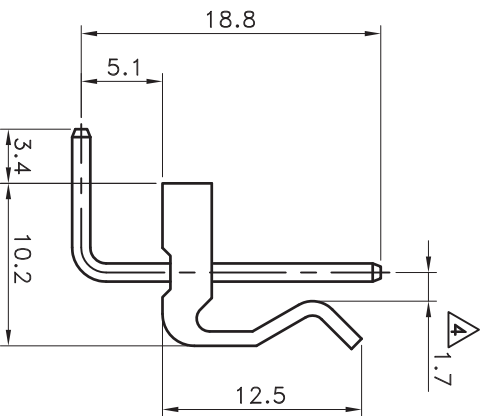


RECOMMENDED PCB LAYOUT



3D VIEW



2 ■ SPECIFICATIONS

- Current Rating : 7A AC/DC
- Withstanding Voltage : 1,500V AC/minute
- Insulation Resistance : 1,000M Ω min
- Temperature Range : - 25 °C to + 85 °C
- Contact Resistance : 20m Ω max

3 ■ WAFER

- Part No. : 2WB4001R-XX(X) ① ②
- Part Code
- ① Poles : 02~16
- ② Plated :
- Blank : Tin Plated
- G : Gold Plated
- Material :
- 1. Contact : Brass
- 2. Base : Nylon 66 UL94V-2
- 3. Plated : Refer the above options
- Packing : Bag

Poles	Dimensions(mm)	
	A	B
2	3.96	7.92
3	7.92	11.88
4	11.88	15.84
5	15.84	19.80
6	19.80	23.76
7	23.76	27.72
8	27.72	31.68
9	31.68	35.64
10	35.64	39.60
11	39.60	43.56
12	43.56	47.52
13	47.52	51.48
14	51.48	55.44
15	55.44	59.40
16	59.40	63.36

TOLERANCE	LTR	REVISION RECORD	NAME	DATE
.0	△	變更原因遺失	---	---
.00	△	修改物性表	王誠賢	2010/11/22
.000	△	不同材質產品圖拆開	鄭小嬌	2012/02/22
ANGLE				
0°	△	依實物修改尺寸及增加插針圖示	鄭小嬌	2015/08/13
.0°	±			
SHEET 1/1				

Singatron Enterprise Co., Ltd.				
TITLE	3.96mm WIRE TO BOARD CONNECTOR, R/A TYPE			
DWN	PART NO.	2WB4001R-XX(X)		
CHKD	SCALE	1:1	UNIT:	mm
APVD	SIZE:	A3	SHEET:	1 OF 1
CUSTOMER COPY				

