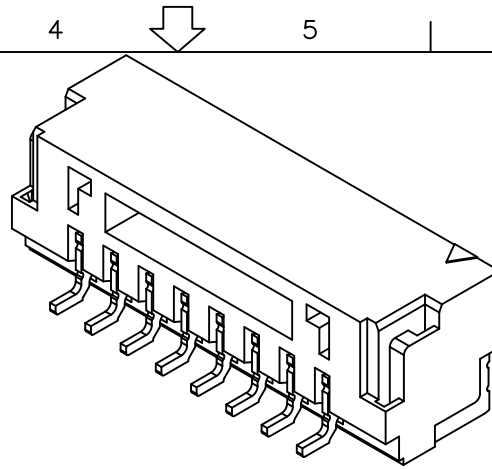


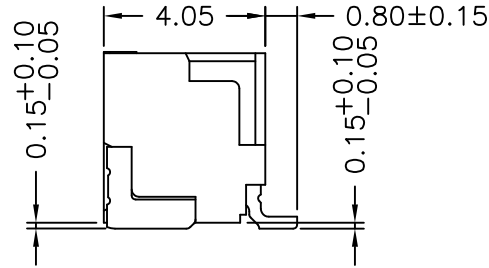
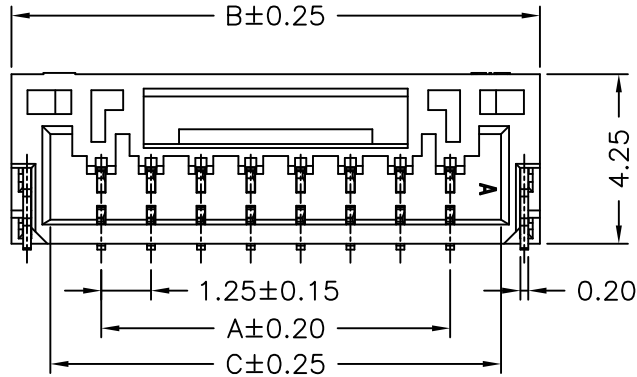
No.1 Mark



P/N LEGEND

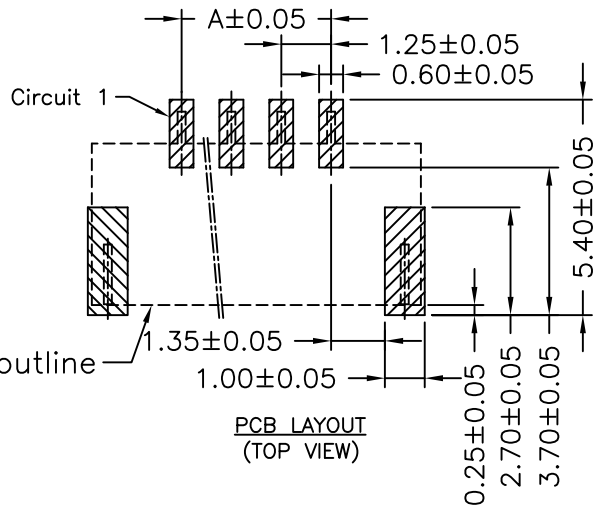
2WBA12514		WR-S	XP	N	L	N	T1	T	00	R
①	②	③	④	⑤	⑥	⑦	⑧	⑨	⑩	⑪

① Series No.
 ② Connector type: WR=Right angle
 ③ Mounting type: S=SMT TYPE
 ④ No. of circuits
 ⑤ N=Halogen Free
 ⑥ Material: L=LCP ;
 ⑦ Color: N=Natural ;
 ⑧ Plating code for contacts:
 T1=Matte Tin-plated;
 ⑨ Plating code for solder tabs:
 T=Matte Tin-plated;
 ⑩ Option code: 00=Standard
 ⑪ Packing code: R=Tape & Reel



SPECIFICATIONS

Current Rating: 1A AC,DC
 Voltage Rating: 50V AC,DC
 Temperature Range: -25°C ~ +85°C
 Contact Resistance: 30mΩ Max.
 Insulation Resistance: 100MΩ Min.
 Withstanding Voltage: 500V AC/minute
 Pin Material: Phosphor Bronze
 Solder Tabs: Brass



PCB LAYOUT (TOP VIEW)

Circuit No.	Dimensions			Circuit No.	Dimensions		
	A	B	C		A	B	C
02P	1.25	5.75	3.80	09P	10.00	14.50	12.55
03P	2.50	7.00	5.05	10P	11.25	15.75	13.80
04P	3.75	8.25	6.30	11P	12.50	17.00	15.05
05P	5.00	9.50	7.55	12P	13.75	18.25	16.30
06P	6.25	10.75	8.80	13P	15.00	19.50	17.55
07P	7.50	12.00	10.05	14P	16.25	20.75	18.80
08P	8.75	13.25	11.30	15P	17.50	22.00	20.05

Singatron Enterprise Co., Ltd.

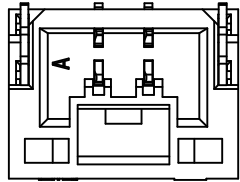
TITLE	1.25mm PITCH 90° WAFER-SMT TYPE		
DWN	徐富永	PART NO.	2WBA12514WR-S-XPXXXXXXXXR
CHKD	2020.06.17	SCALE 1:1	UNIT: mm
APVD	徐富永	SIZE: A3	SHEET: 1 OF 3 REV: A0

CUSTOMER COPY

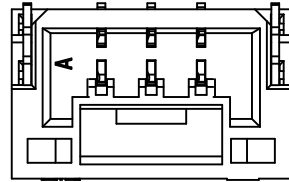
REV.	DESCRIPTION	DATE	NAME	GENERAL TOLERANCE
A0	NEW RELEASE	2020.06.17	鄭小嬌	X.X±0.25
				X.XX±0.15
				X.XXX±0.05



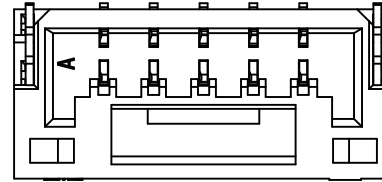
塑膠各PIN外觀差異



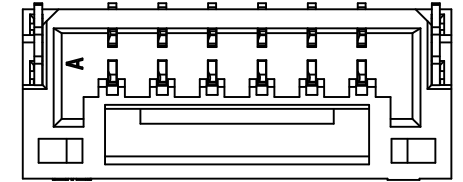
02P



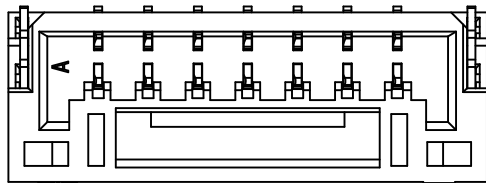
03P



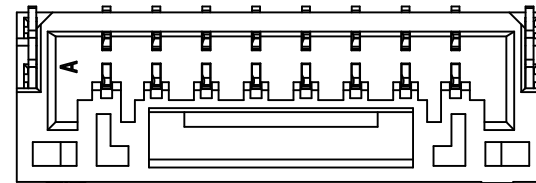
04~05P



06P



07P



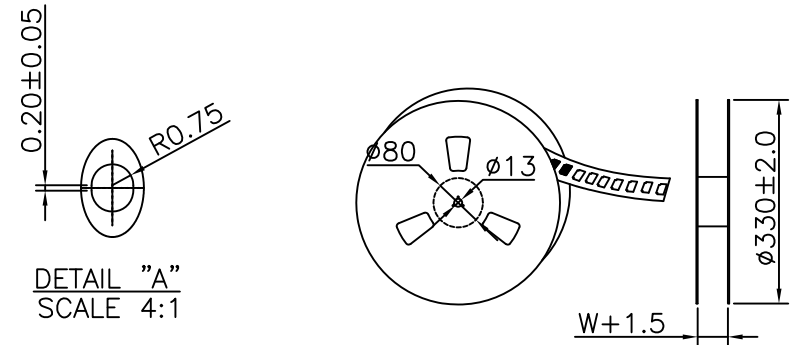
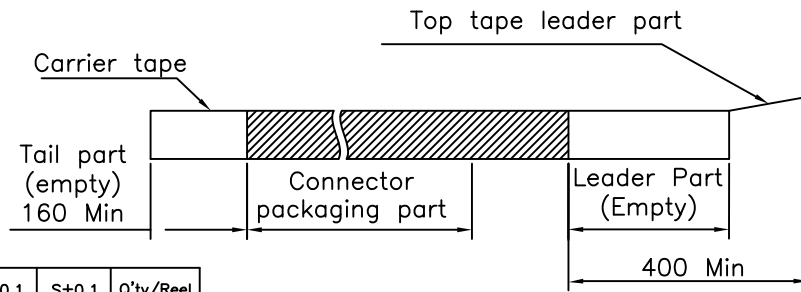
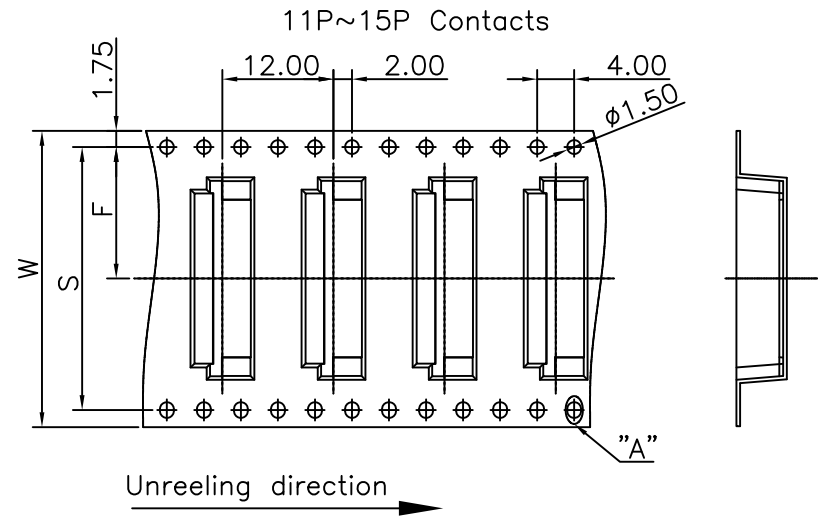
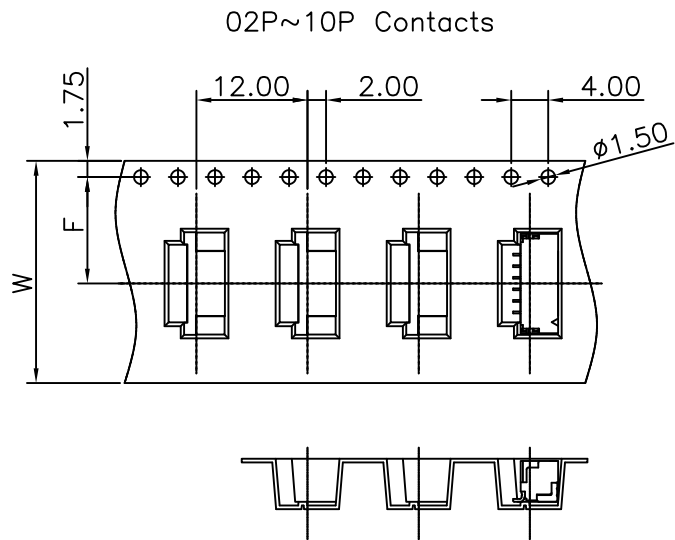
08P

Singatron Enterprise Co., Ltd.

TITLE	1. 25mm PITCH 90° WAFER-SMT TYPE			
DWN	徐富永	PART NO.	2WBA12514WR-S-XPNXXXXXXXXR	
CHKD	2020.06.17	SCALE	1:1	UNIT: mm
APVD	徐富永	SIZE: A3	SHEET: 2 OF 3	REV: A0

CUSTOMER COPY

REV.	DESCRIPTION	DATE	NAME	GENERAL TOLERANCE
A0	NEW RELEASE	2020.06.17	鄭小嬌	X. X±0.25 X. XX±0.15 X. XXX±0.05



Number of Contacts	W ± 0.3	F ± 0.1	S ± 0.1	Q'ty/Reel	
02P	16.00	7.50	/	1,000	
03P					
04P					
05P					
06P	24.00	11.50			
07P					
08P					
09P					
10P	32.00	14.20			28.40
11P					
12P					
13P					
14P	44.00	20.20	40.40		
15P					

REV.	DESCRIPTION	DATE	NAME	GENERAL TOLERANCE
AO	NEW RELEASE	2020.06.17	鄭小嬌	X.X ± 0.25 X.XX ± 0.15 X.XXX ± 0.05

Singatron Enterprise Co., Ltd.				
TITLE	1.25mm PITCH 90° WAFER-SMT TYPE TAPING SPEC.			
DWN	徐富永	PART NO.	2WBA12514WR-S-XPNXXXXXXXXR	
CHKD	2020.06.17	SCALE 1:1	UNIT: mm	
APVD	徐富永	SIZE: A3	SHEET: 3 OF 3	REV: AO
CUSTOMER COPY				