

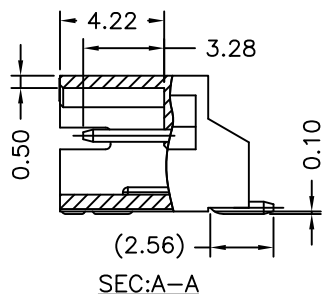
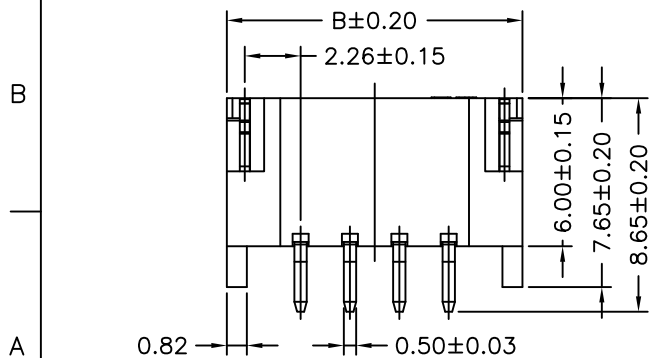
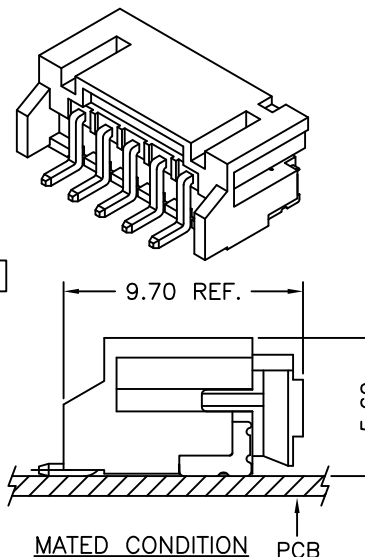
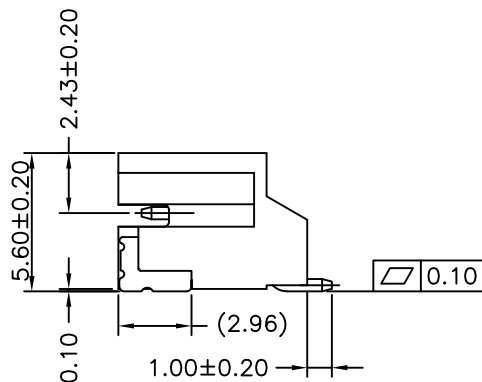
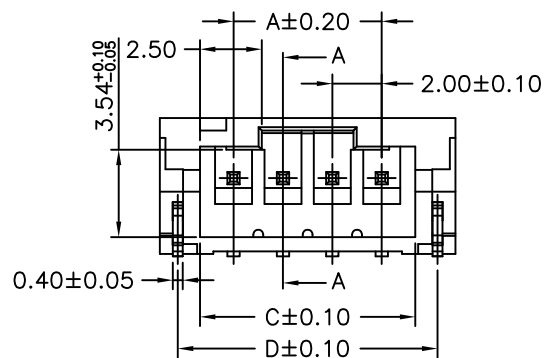
Ordering code

2WBA2001 WR-S-XP N X X XX X XX R  
① ② ③ ④ ⑤ ⑥ ⑦ ⑧ ⑨ ⑩ ⑪

- ① Series No.
- ② Connector type: WR=Right angle
- ③ Mounting type: S=SMT without boss
- ④ No. of circuits
- ⑤ N=Halogen Free
- ⑥ Material: 6=Nylon 6T, L=LCP
- ⑦ Color: B=Black, N=Natural(Beige)
- ⑧ Plating code for contacts:T1=Matte Tin-plated  
G1=Gold-flash
- ⑨ Plating code for solder tabs:T=Matte Tin-plated  
G=Gold-flash
- ⑩ Option code: 00=Standard  
01=Plastic Tray Tape Reel Packing
- ⑪ Packing code:  
R=Tape & Reel(Without Cap or Mylar)

SPECIFICATIONS

Current Rating: 2A AC,DC  
Voltage Rating: 100V AC,DC  
Temperature Range: -25°C ~ +85°C  
Contact Resistance: 10mΩ Max.  
Insulation Resistance: 1000MΩ Min.  
Withstanding Voltage: 800V AC/minute  
Pin Material: Brass/Matte Tin-plated  
or Gold-flash  
Solder Tabs: Brass/Matte Tin-plated  
or Gold-flash



Circuit No.	Dimensions			
	A	B	C	D
02P	2.00	8.00	4.72	6.52
03P	4.00	10.00	6.72	8.52
04P	6.00	12.00	8.72	10.52
05P	8.00	14.00	10.72	12.52
06P	10.00	16.00	12.72	14.52
07P	12.00	18.00	14.72	16.52
08P	14.00	20.00	16.72	18.52
09P	16.00	22.00	18.72	20.52
10P	18.00	24.00	20.72	22.52
11P	20.00	26.00	22.72	24.52
12P	22.00	28.00	24.72	26.52
13P	24.00	30.00	26.72	28.52
14P	26.00	32.00	28.72	30.52
15P	28.00	34.00	30.72	32.52
16P	30.00	36.00	32.72	34.52

A3	EN1709140001	2017.09.15	向瑞	
A2	Add Lcp Material	2016.01.20	唐騰鳳	GENERAL TOLERANCE
A1	EN1310310376	2013.10.31	郭木思	X.X±0.25
A0	NEW RELEASE	2010.05.25	陳敏	X.XX±0.15
REV.	DESCRIPTION	DATE	NAME	X.XXX±0.05

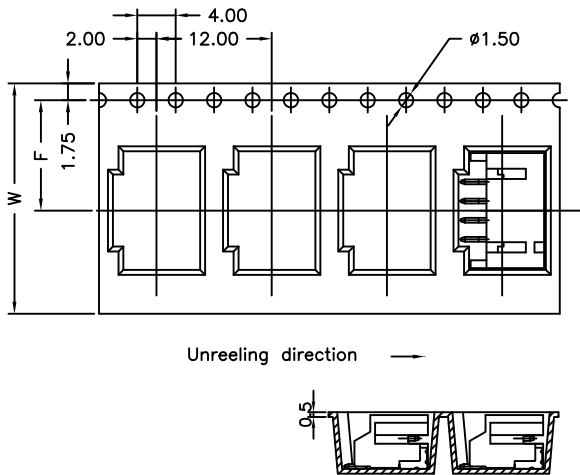
Singatron Enterprise Co., Ltd.

TITLE	2.00mm PITCH 90° WAFER-SMT TYPE			
DWN	陳敏	PART NO.	2WBA2001WR-S-XPNXXXXXXXXX	
CHKD	2010.05.25	SCALE 1:1	UNIT: mm	④
APVD	童冠銘	SIZE: A3	SHEET: 1 OF 2	REV: A3

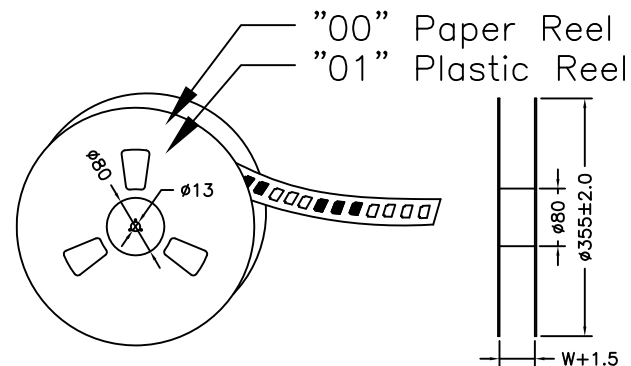
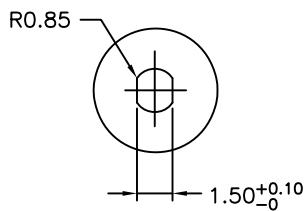
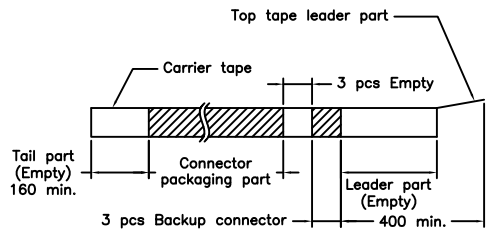
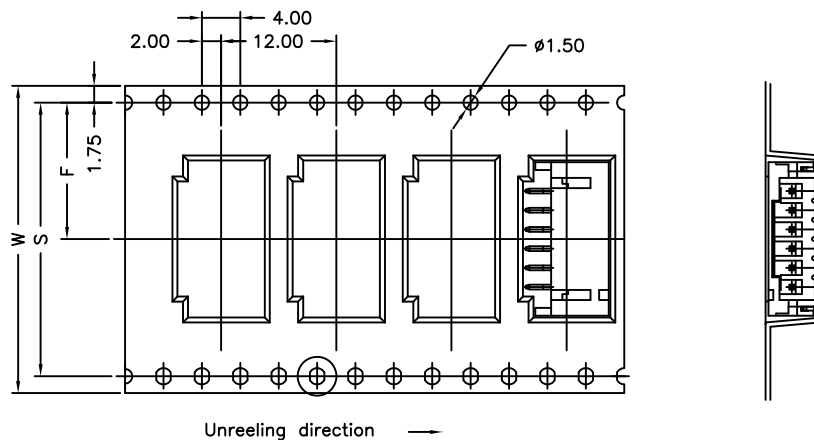
CUSTOMER COPY



02~05 Contacts



06~16 Contacts



NOTE:  
Material: Transparent  
Anti-static Polystyrene.

REV.	DESCRIPTION	DATE	NAME
A3	EN1709140001	2017.09.15	向瑞
A2	Add Lcp Material	2016.01.20	唐騰鳳
A1	EN1310310376	2013.10.31	郭木思
A0	NEW RELEASE	2010.05.25	陳敏

GENERAL TOLERANCE  
X. X±0.25  
X. XX±0.15  
X. XXX±0.05

Number of Contacts	W±0.3	F±0.1	S±0.1	Q'ty/Reel
02P	16	7.50	/	1000
03P	24	11.50		1000
04P	24	11.50		1000
05P	24	11.50		1000
06P	32	14.20	28.40	1000
07P	32	14.20	28.40	1000
08P	32	14.20	28.40	1000
09P	44	20.20	40.40	1000
10P	44	20.20	40.40	1000
11P	44	20.20	40.40	1000
12P	44	20.20	40.40	1000
13P	56	26.20	52.40	1000
14P	56	26.20	52.40	1000
15P	56	26.20	52.40	1000
16P	56	26.20	52.40	1000

Singatron Enterprise Co., Ltd.

2.00mm PITCH 90° WAFER-SMT TYPE, TAPING SPEC.				
TITLE				
DWN	陳敏	PART NO.	2WBA2001WR-S-XPNNXXXXXXXXX	
CHKD	2010.05.25	SCALE 1:1	UNIT: mm	
APVD	童冠銘	SIZE: A3	SHEET: 2 OF 2	
REV: A3				
CUSTOMER COPY				