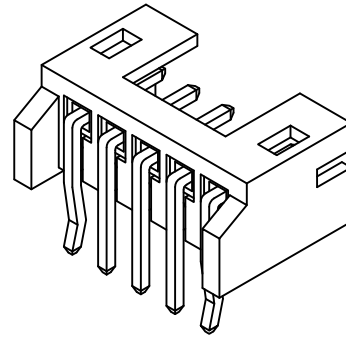


P.C.B LAYOUT



P/N LEGEND

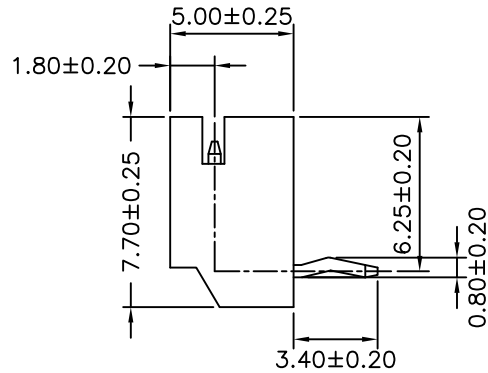
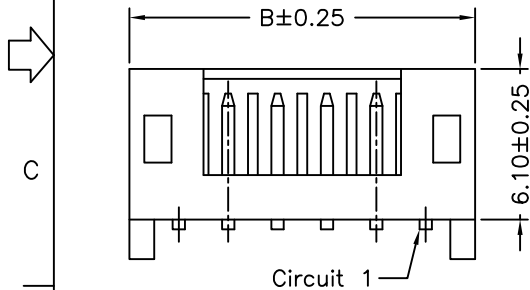
2WBA2001	WR-XP	N	X	X	XX	N	K0	G	
①	②	③	④	⑤	⑥	⑦	⑧	⑨	⑩

① Series No.  
 ② Connector type: WR=Right angle  
 ③ No. of circuits  
 ④ N=Halogen Free  
 ⑤ Material: 0=Nylon 66-V0 ; L=LCP-V0  
 ⑥ Color: W=White ; B=Black ; N=Natural  
 ⑦ Plating code for contacts: T1=Tin-plated; M1=Matte Tin-plated  
 ⑧ Plating code: N=Non-plating  
 ⑨ Option code: K0=With pin kink  
 ⑩ Packing code: G=Bag

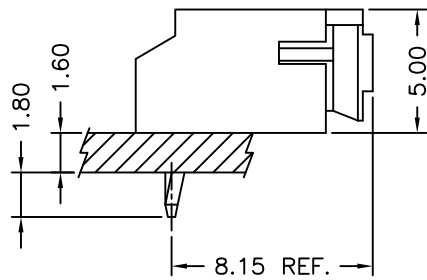
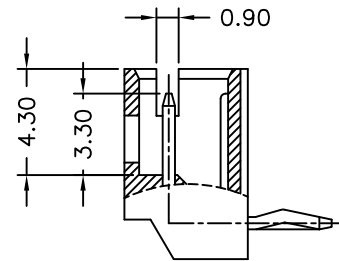
SPECIFICATIONS

Current Rating: 2A AC,DC  
 Voltage Rating: 100V AC,DC  
 Temperature Range: -25°C ~ +85°C  
 Contact Resistance: 10mΩ Max.  
 Insulation Resistance: 1000MΩ Min.  
 Withstanding Voltage: 800V AC/minute  
 Pin Material: Brass/Tin-plated  
 Material: Nylon 66,UL94V-0  
 Color: White or Black

Circuit No.	Dimensions		Circuit No.	Dimensions	
	A	B		A	B
02P	2.00	6.00	11P	20.00	24.00
03P	4.00	8.00	12P	22.00	26.00
04P	6.00	10.00	13P	24.00	28.00
05P	8.00	12.00	14P	26.00	30.00
06P	10.00	14.00	15P	28.00	32.00
07P	12.00	16.00	16P	30.00	34.00
08P	14.00	18.00	17P	32.00	36.00
09P	16.00	20.00	18P	34.00	38.00
10P	18.00	22.00			



With pin kink



MATED CONDITION

A2	EN1902190001	2019.02.19	焦秋蘭	GENERAL TOLERANCE
A1	EN1311140391	2013.10.26	周傑亮	X.X±0.25
A0	NEW RELEASE	2011.06.28	陳敏	X.XX±0.15
REV.	DESCRIPTION	DATE	NAME	X.XXX±0.05

Singatron Enterprise Co., Ltd.				
TITLE	2.00mm PITCH 90° WAFER			
DWN	陳敏	PART NO.	2WBA2001WR-XPXXXXXXK0X	
CHKD	2011.06.28	SCALE 1:1	UNIT: mm	④
APVD	董正一	SIZE: A3	SHEET: 1 OF 1	REV: A2
CUSTOMER COPY				