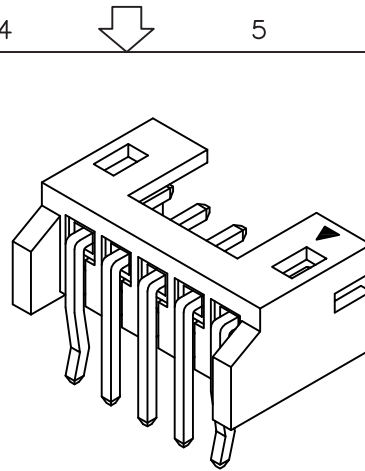


1 2 3 4 5 6 7 8

F
E
D
C
B
A

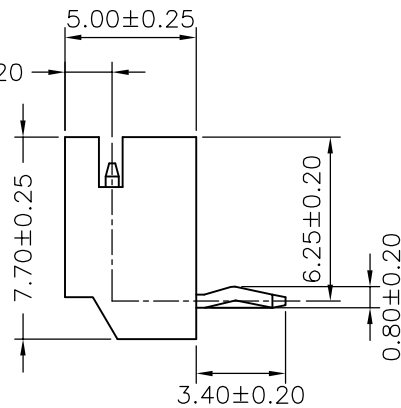
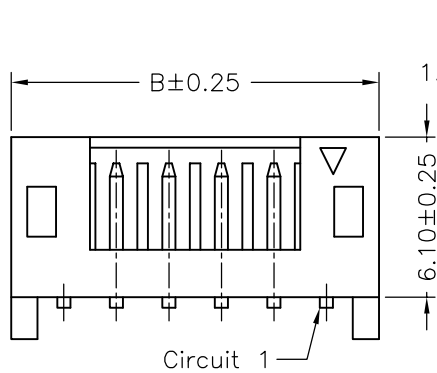
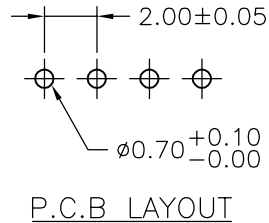
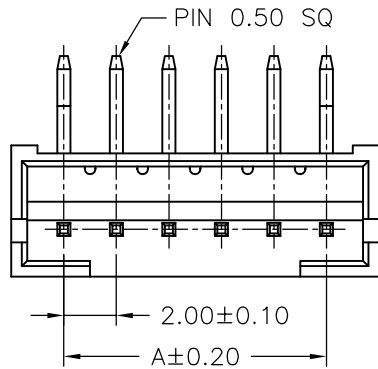


SPECIFICATIONS

Current Rating: 2A AC,DC
 Voltage Rating: 100V AC,DC
 Temperature Range: -25°C ~ +85°C
 Contact Resistance: 10mΩ Max.
 Insulation Resistance: 1000MΩ Min.
 Withstanding Voltage: 800V AC/minute
 Pin Material: Brass/Gold-flash
 Material: Nylon 6T,UL94V-0
 Color: Natural(Beige)

Ordering Information & Dimensions

PART NO.	Dimensions	
	A	B
2WBA2001WR-02P6TG	2.00	6.00
2WBA2001WR-03P6TG	4.00	8.00
2WBA2001WR-04P6TG	6.00	10.00
2WBA2001WR-05P6TG	8.00	12.00
2WBA2001WR-06P6TG	10.00	14.00
2WBA2001WR-07P6TG	12.00	16.00
2WBA2001WR-08P6TG	14.00	18.00
2WBA2001WR-09P6TG	16.00	20.00
2WBA2001WR-10P6TG	18.00	22.00
2WBA2001WR-11P6TG	20.00	24.00
2WBA2001WR-12P6TG	22.00	26.00
2WBA2001WR-13P6TG	24.00	28.00
2WBA2001WR-14P6TG	26.00	30.00
2WBA2001WR-15P6TG	28.00	32.00
2WBA2001WR-16P6TG	30.00	34.00
2WBA2001WR-17P6TG	32.00	36.00
2WBA2001WR-18P6TG	34.00	38.00



GENERAL TOLERANCE
 X.X±0.25 ANGLE±
 X.XX±0.15
 X.XXX±0.05

A0	NEW RELEASE	2007.03.05
REV.	DESCRIPTION	DATE

Singatron Enterprise Co., Ltd. 信音企業股份有限公司			
TITLE	2.00mm PITCH 90 WAFER,NYLON 6T, GOLD-FLASH		
DWN	歐陽小強	PART NO.	2WBA2001WR-XXP6TG
CHKD	2007.03.05	SCALE	1:1 UNIT: mm
APVD	董正一	SIZE: A3	SHEET: 1 OF 1 REV: A0
CUSTOMER COPY			

1 2 3 4 5 6 7 8