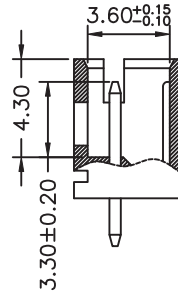
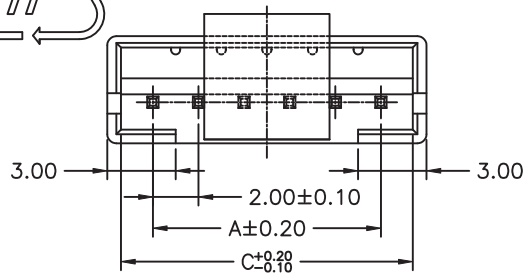




(TOP VIEW)

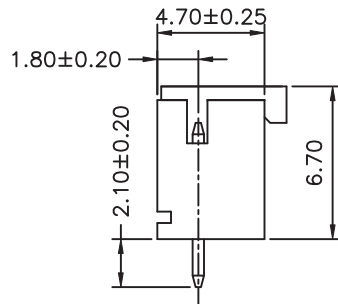
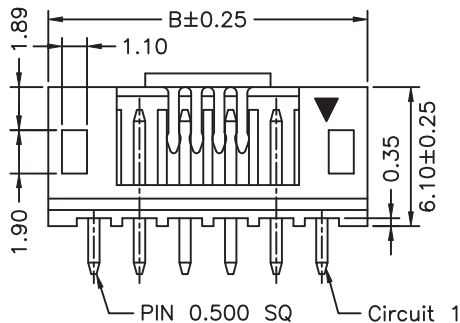


P/N LEGEND

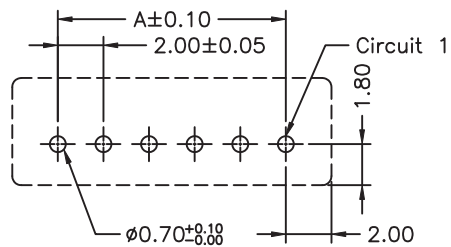
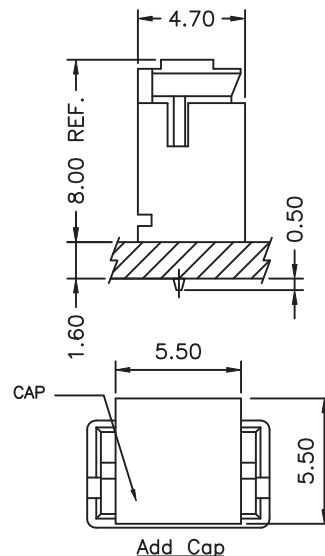
- 2WBA2001 WV-XP N L X M1 N S6 L
- ① Series No.
 ② Connector type: WV=Vertical
 ③ No. of circuits
 ④ N=Halogen Free
 ⑤ Material: L=LCP
 ⑥ Color: N=Natru; B=Black;
 ⑦ Plating code for contacts:
 M1=Matte Tin-plated;
 ⑧ Plating code: N=Non-plating
 ⑨ Option code:
 S6=2.1mm, Without pin kink, Groove depth 0.35mm
 ⑩ Packing code: L=Tape&Reel(With Cap or Mylar)

SPECIFICATIONS
 Current Rating: 2A AC,DC
 Voltage Rating: 100V AC,DC
 Temperature Range: -25°C ~ +85°C
 Contact Resistance: 10mΩ Max.
 Insulation Resistance: 1000MΩ Min.
 Withstanding Voltage: 800V AC/minute
 Pin Material: Brass

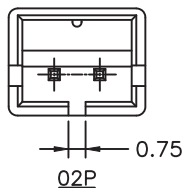
Circuit No.	Dimensions		
	A	B	C
02P	2.00	6.00	4.80
03P	4.00	8.00	6.80
04P	6.00	10.00	8.80
05P	8.00	12.00	10.80
06P	10.00	14.00	12.80
07P	12.00	16.00	14.80
08P	14.00	18.00	16.80
09P	16.00	20.00	18.80
10P	18.00	22.00	20.80
11P	20.00	24.00	22.80
12P	22.00	26.00	24.80
13P	24.00	28.00	26.80
14P	26.00	30.00	28.80
15P	28.00	32.00	30.80
16P	30.00	34.00	32.80
17P	32.00	36.00	34.80
18P	34.00	38.00	36.80



S6: Without pin kink



P.C.B LAYOUT(TOP VIEW)



UNLESS OTHERWISE SPECIFIED TOLERANCES

DECIMALS: X.X±0.25
 X.XX±0.15
 X.XXX±0.05

ANGLES: X :±2°
 X.X :±1°

Singatron Enterprise Co., Ltd.

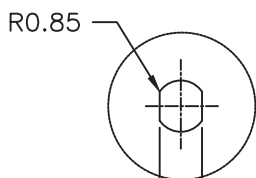
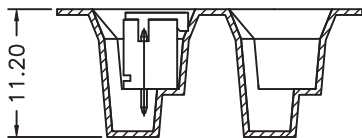
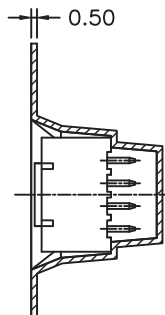
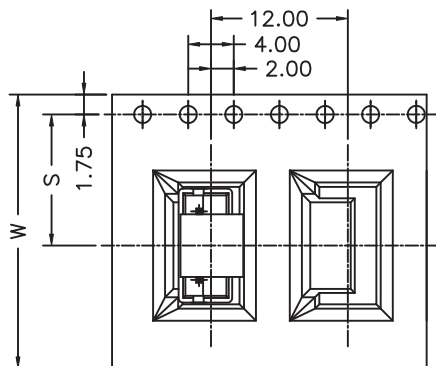
TITLE	2.00mm PITCH 180° WAFER		
DWN	劉建芳 2015.05.06	PART NO.	2WBA2001WV-XP NLXM1NS6L
CHKD		SCALE	1:1 UNIT: mm
APVD	劉建芳 2015.05.06	SIZE: A3	SHEET: 1 OF 2 REV: A1

CUSTOMER COPY

A1	EN1507080004	2015.07.08	劉建芳
A0	NEW RELEASE	2015.05.06	劉建芳
REV.	DESCRIPTION	DATE	NAME

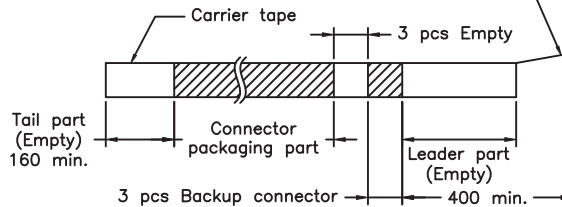


02~05P Contacts

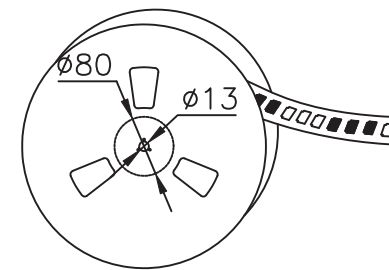
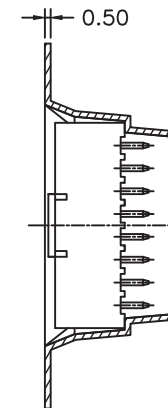
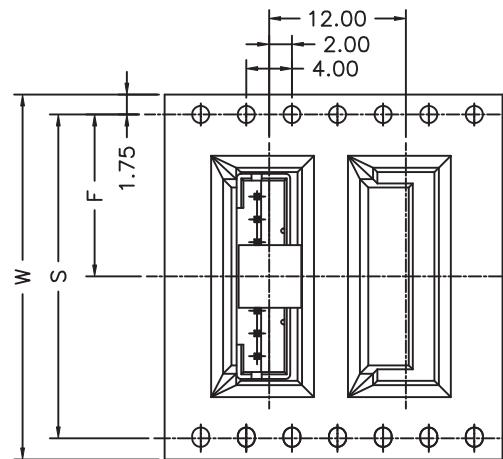


1.50^{+0.10}₀

Top tape leader part



06~18P Contacts



Number of Contacts	W±0.3	F±0.1	S±0.1	Q'ty/Reel
02P	16	7.50		500
03P				500
04P	24	11.50		500
05P				500
06P				500
07P	32	14.20	28.40	500
08P				500
09P				500
10P				500
11P	44	20.20	40.40	500
12P				500
13P				500
14P				500
15P				500
16P	56	26.20	52.40	500
17P				500
18P				500

NOTE:

Material: Transparent Anti-static Polystyrene.

REV.	DESCRIPTION	DATE	NAME
A1	EN1507080004	2015.07.08	劉建芳
A0	NEW RELEASE	2015.05.06	劉建芳

UNLESS OTHERWISE SPECIFIED TOLERANCES

DECIMALS: X.X±0.25
X.XX±0.15
X.XXX±0.05

ANGLES: X :±2°
X.X :±1°

Singatron Enterprise Co., Ltd.

TITLE	2.00mm PITCH 180° WAFER		
DWN	明緯 2015.05.06	PART NO. 2WBA2001WV-XPNLXM1NS6L	
CHKD		SCALE 1:1 UNIT: mm	
APVD	陳清廷 2015.05.06	SIZE: A3 SHEET: 2 OF 2	REV: A1

CUSTOMER COPY