

1

2

3

4

5

6

7

8

F

E

D

C

B

A

F

E

D

C

B

A

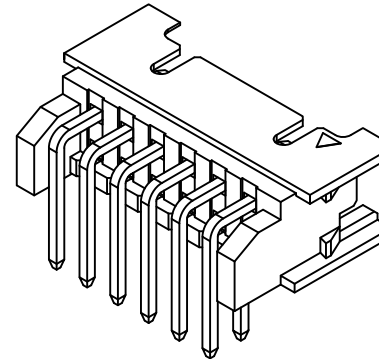
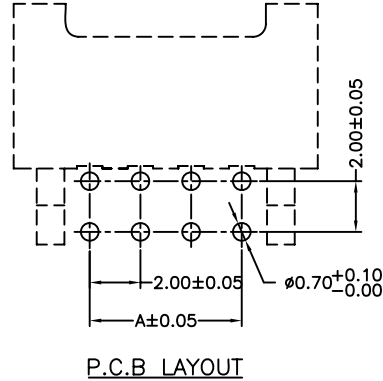
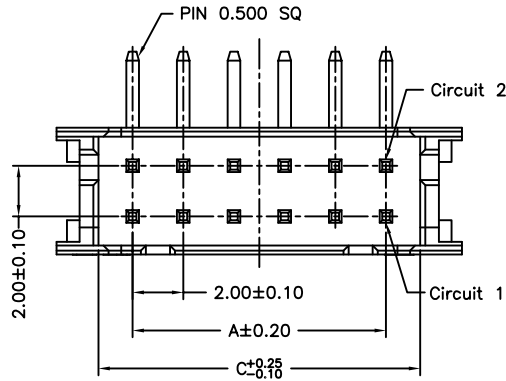
P/N LEGEND

2WBA2004 WRA-2XNP XXX

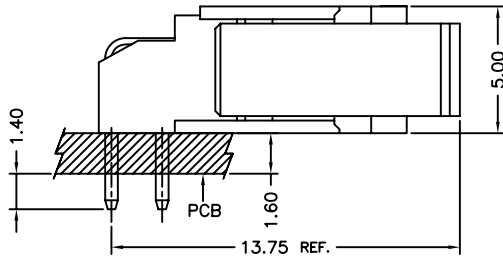
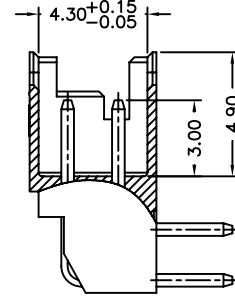
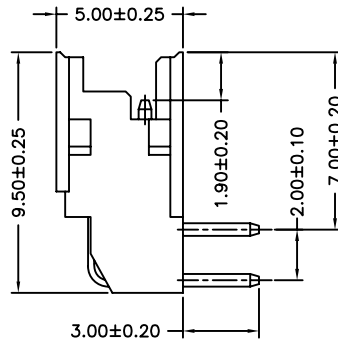
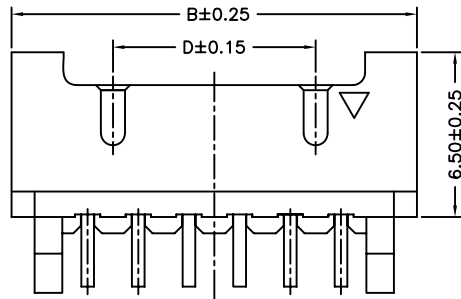
① Series No.      ② Connector type: WRA=Right angle A type  
 ③ No. of circuits      ④ Option code:  
 Blank=Standard

SPECIFICATIONS

Current Rating: 3A AC,DC  
 Voltage Rating: 250V AC,DC  
 Temperature Range: -25°C ~ +85°C  
 Contact Resistance: 10mΩ Max.  
 Insulation Resistance: 1000MΩ Min.  
 Withstanding Voltage: 800V AC/minute  
 Pin Material: Brass/Gold-flash  
 Material: Nylon 6T,UL94V-0  
 Color: Natural(Beige)



| Circuit No. | Dimensions |       |       |       |
|-------------|------------|-------|-------|-------|
|             | A          | B     | C     | D     |
| 2X02P       | 2.00       | 8.00  | 4.70  | ---   |
| 2X03P       | 4.00       | 10.00 | 6.70  | 2.00  |
| 2X04P       | 6.00       | 12.00 | 8.70  | 4.00  |
| 2X05P       | 8.00       | 14.00 | 10.70 | 6.00  |
| 2X06P       | 10.00      | 16.00 | 12.70 | 8.00  |
| 2X07P       | 12.00      | 18.00 | 14.70 | 10.00 |
| 2X08P       | 14.00      | 20.00 | 16.70 | 12.00 |
| 2X09P       | 16.00      | 22.00 | 18.70 | 14.00 |
| 2X10P       | 18.00      | 24.00 | 20.70 | 16.00 |
| 2X11P       | 20.00      | 26.00 | 22.70 | 18.00 |
| 2X12P       | 22.00      | 28.00 | 24.70 | 20.00 |
| 2X13P       | 24.00      | 30.00 | 26.70 | 22.00 |
| 2X14P       | 26.00      | 32.00 | 28.70 | 24.00 |
| 2X15P       | 28.00      | 34.00 | 30.70 | 26.00 |
| 2X16P       | 30.00      | 36.00 | 32.70 | 28.00 |
| 2X17P       | 32.00      | 38.00 | 34.70 | 30.00 |
| 2X18P       | 34.00      | 40.00 | 36.70 | 32.00 |
| 2X19P       | 36.00      | 42.00 | 38.70 | 34.00 |
| 2X20P       | 38.00      | 44.00 | 40.70 | 36.00 |



MATED CONDITION

| REV. | DESCRIPTION  | DATE       | NAME | GENERAL TOLERANCE | ANGLE± |
|------|--------------|------------|------|-------------------|--------|
| A2   | EN1112050511 | 2011.12.05 | 陳錦展  | X.X±0.25          |        |
|      |              |            |      | X.XX±0.15         |        |
|      |              |            |      | X.XXX±0.05        |        |

Singatron Enterprise Co., Ltd.

|       |                                  |          |                          |
|-------|----------------------------------|----------|--------------------------|
| TITLE | 2.00mm PITCH 90° WAFER-LOCK TYPE |          |                          |
| DWN   | 日期: 2006.10.27                   | PART NO. | 2WBA2004WRA-2XNPXXX      |
| CHKD  | SCALE 1:1                        | UNIT:    | mm                       |
| APVD  | 號: 2006.10.27                    | SIZE:    | A3 SHEET: 1 OF 1 REV: A2 |

**CUSTOMER COPY**

1

2

3

4

5

6

7

8