

1 2 3 4 5 6 7 8

F

E

D

C

B

A

F

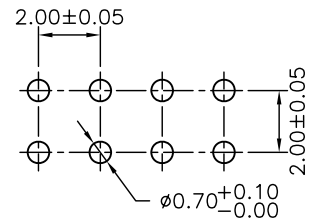
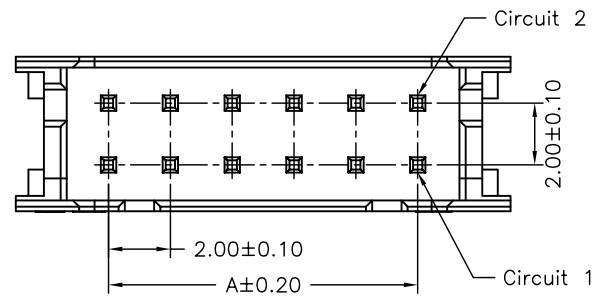
E

D

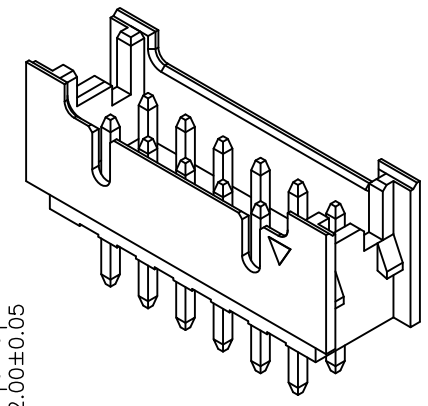
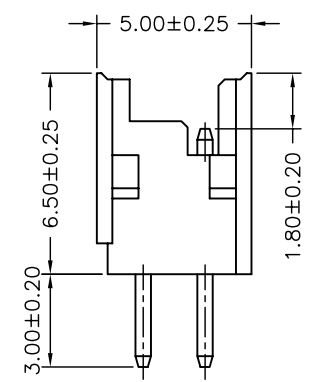
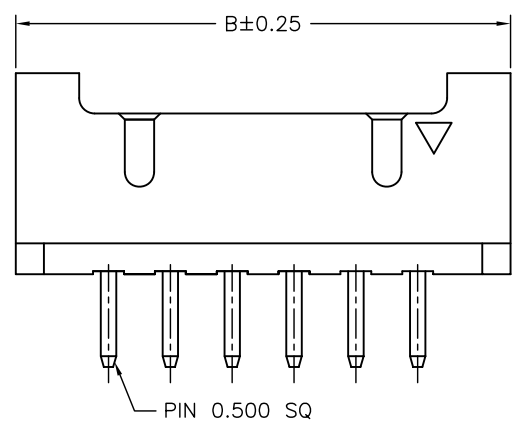
C

B

A



P.C.B LAYOUT



**SPECIFICATIONS**  
 Current Rating: 3A AC,DC  
 Voltage Rating: 250V AC,DC  
 Temperature Range: -25°C ~ +85°C  
 Contact Resistance: 10mΩ Max.  
 Insulation Resistance: 1000MΩ Min.  
 Withstanding Voltage: 800V AC/minute  
 Pin Material: Brass/Gold-flash  
 Material: Nylon 6T,UL94V-0  
 Color: Natural(Beige)

Ordering Information & Dimensions

PART NO.	Dimensions	
	A	B
2WBA2004WVA-2X02P	2.00	8.00
2WBA2004WVA-2X03P	4.00	10.00
2WBA2004WVA-2X04P	6.00	12.00
2WBA2004WVA-2X05P	8.00	14.00
2WBA2004WVA-2X06P	10.00	16.00
2WBA2004WVA-2X07P	12.00	18.00
2WBA2004WVA-2X08P	14.00	20.00
2WBA2004WVA-2X09P	16.00	22.00
2WBA2004WVA-2X10P	18.00	24.00
2WBA2004WVA-2X11P	20.00	26.00
2WBA2004WVA-2X12P	22.00	28.00
2WBA2004WVA-2X13P	24.00	30.00
2WBA2004WVA-2X14P	26.00	32.00
2WBA2004WVA-2X15P	28.00	34.00
2WBA2004WVA-2X16P	30.00	36.00
2WBA2004WVA-2X17P	32.00	38.00
2WBA2004WVA-2X18P	34.00	40.00
2WBA2004WVA-2X19P	36.00	42.00
2WBA2004WVA-2X20P	38.00	44.00
2WBA2004WVA-2X22P	42.00	48.00

<b>Singatron Enterprise Co., Ltd.</b>			
TITLE	2.00mm PITCH 180° WAFER-LOCK TYPE		
DWN	歐陽小強 2006.10.27	PART NO.	2WBA2004WVA-2XNP
CHKD		SCALE 1:1	UNIT: mm
APVD	章正一 2006.10.27	SIZE: A3	SHEET: 1 OF 1 REV: A2
<b>CUSTOMER COPY</b>			

REV.	DESCRIPTION	DATE	GENERAL TOLERANCE	ANGLE±
A2	ECN NO. EN0910090481	2009.10.09		
A1	REVISE	2008.08.14	X. X±0.25	ANGLE±
A0	NEW RELEASE	2006.10.27	X. XX±0.15	
			X. XXX±0.05	

1 2 3 4 5 6 7 8