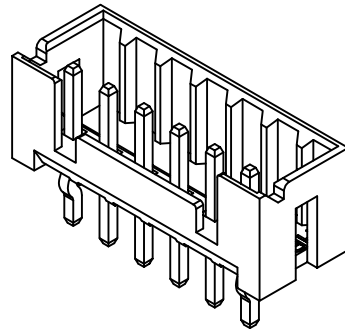


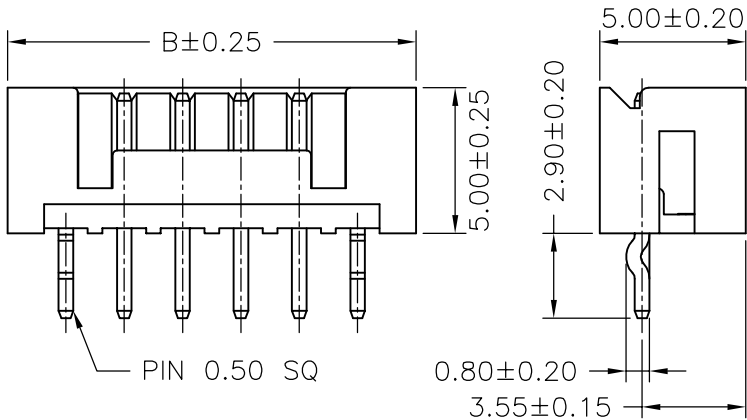
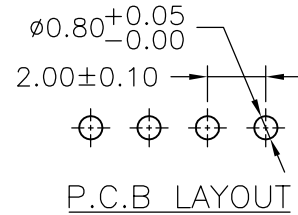
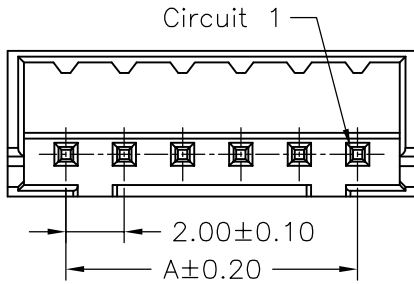
1 2 3 4 5 6 7 8

F
E
D
C
B
A



SPECIFICATIONS

Current Rating: 3A AC,DC
 Voltage Rating: 250V AC,DC
 Temperature Range: -25°C ~ +85°C
 Contact Resistance: 30mΩ Max.
 Insulation Resistance: 1000MΩ Min.
 Withstanding Voltage: 650V AC/minute
 Pin Material: Brass/Gold-flash
 Material: Nylon 6T,UL94V-0
 Color: Natural(Black)



Ordering Information & Dimensions

PART NO.	Dimensions	
	A	B
2WBA2005WV-02P	2.00	6.00
2WBA2005WV-03P	4.00	8.00
2WBA2005WV-04P	6.00	10.00
2WBA2005WV-05P	8.00	12.00
2WBA2005WV-06P	10.00	14.00
2WBA2005WV-07P	12.00	16.00
2WBA2005WV-08P	14.00	18.00
2WBA2005WV-09P	16.00	20.00
2WBA2005WV-10P	18.00	22.00
2WBA2005WV-11P	20.00	24.00
2WBA2005WV-12P	22.00	26.00
2WBA2005WV-13P	24.00	28.00
2WBA2005WV-14P	26.00	30.00
2WBA2005WV-15P	28.00	32.00

Singatron Enterprise Co., Ltd.				
TITLE	2.00mm PITCH 180° WAFER			
DWN	董正一	PART NO.	2WBA2005WV-XP	
CHKD	2005.04.16	SCALE	1:1	UNIT: mm
APVD	董正一	SIZE	A3	SHEET: 1 OF 1 REV: B1
CUSTOMER COPY				

REV.	DESCRIPTION	DATE	GENERAL TOLERANCE	ANGLE±
B1	REVISE	2006.12.12	X. X±0.25	ANGLE±
B0	NEW RELEASE	2005.11.24	X. XX±0.15	▽
			X. XXX±0.5	⊕

1 2 3 4 5 6 7 8