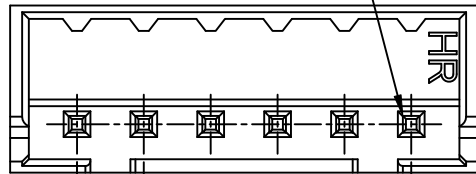
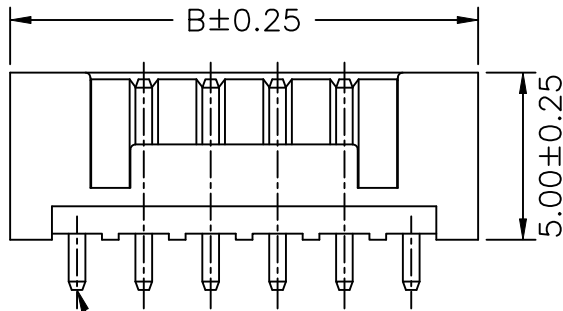




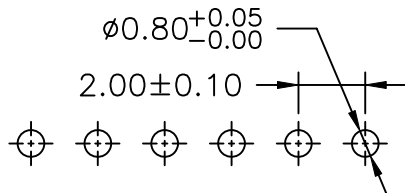
Circuit 1



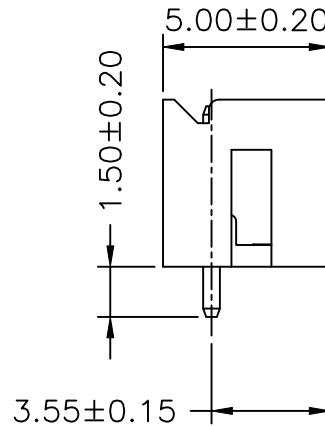
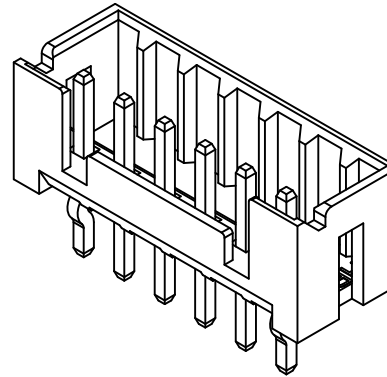
2.00±0.10
A±0.20



PIN 0.50 SQ



P.C.B LAYOUT



P/N LEGEND

<u>2</u> WBA2005	<u>W</u> V- <u>X</u> P	<u>N</u>	<u>6</u>	<u>B</u>	<u>G</u> 1	<u>N</u>	<u>Y</u> 1	<u>G</u>	
①	②	③	④	⑤	⑥	⑦	⑧	⑨	⑩

① Series No.
② Connector type: WV=Vertical
③ No. of circuits
④ N=Halogen Free
⑤ Material: 6=Nylon 6T
⑥ Color: B=Black
⑦ Plating code for contacts: G1=Gold-flash
⑧ Plating code: N=Non-plating
⑨ Option code: Y1=1.5mm
⑩ Packing code: G=Bag

SPECIFICATIONS

Current Rating: 3A AC,DC
Voltage Rating: 250V AC,DC
Temperature Range: -25°C ~ +85°C
Contact Resistance: 30mΩ Max.
Insulation Resistance: 1000MΩ Min.
Withstanding Voltage: 650V AC/minute
Pin Material: Brass/Gold-flash

Circuit No.	Dimensions		Circuit No.	Dimensions	
	A	B		A	B
02P	2.00	6.00	09P	16.00	20.00
03P	4.00	8.00	10P	18.00	22.00
04P	6.00	10.00	11P	20.00	24.00
05P	8.00	12.00	12P	22.00	26.00
06P	10.00	14.00	13P	24.00	28.00
07P	12.00	16.00	14P	26.00	30.00
08P	14.00	18.00	15P	28.00	32.00

Singatron Enterprise Co., Ltd.

TITLE	2.00mm PITCH 180° WAFER		
DWN	劉建芳	PART NO.	2WBA2005WV-XPNXXXXXXXXX
CHKD	2016.08.11	SCALE	1:1 UNIT: mm
APVD	呂長祈	SIZE	A3 SHEET: 1 OF 1 REV: A0

CUSTOMER COPY

REV.	DESCRIPTION	DATE	NAME	GENERAL TOLERANCE	ANGLE±
A0	NEW RELEASE	2016.08.03	劉建芳	X.X±0.25	▽
				X.XX±0.15	⊕
				X.XXX±0.05	⊕