

P/N LEGEND

**2WBA2013** WR-XP N 0 X T1 N KO G

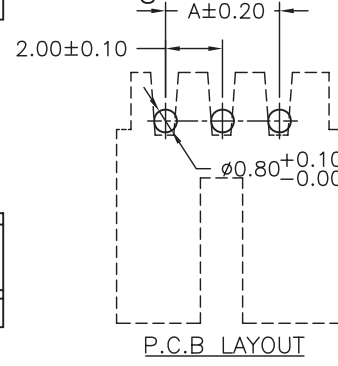
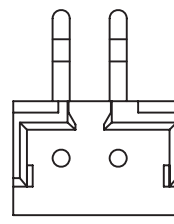
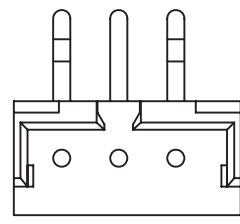
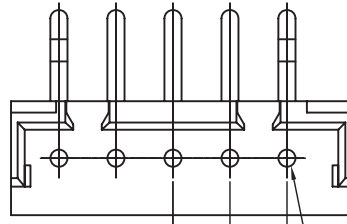
① ② ③ ④ ⑤ ⑥ ⑦ ⑧ ⑨ ⑩

- ① Series No.
- ② Connector type: WR=Right angle
- ③ No. of circuits
- ④ N=Halogen Free
- ⑤ Material: 0=Nylon 66-V0
- ⑥ Color: W=White, B=Black
- ⑦ Plating code for contacts: T1=Tin-plated
- ⑧ Plating code: N=Non-plating
- ⑨ Option code: KO=With pin kink
- ⑩ Packing code: G=Bag

04~15P

03P

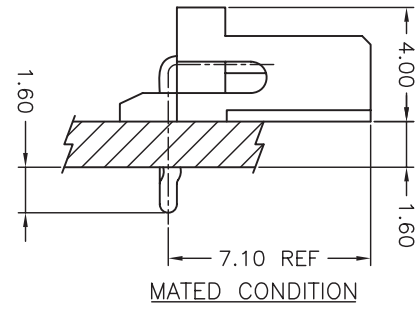
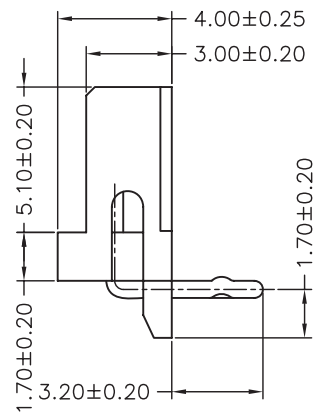
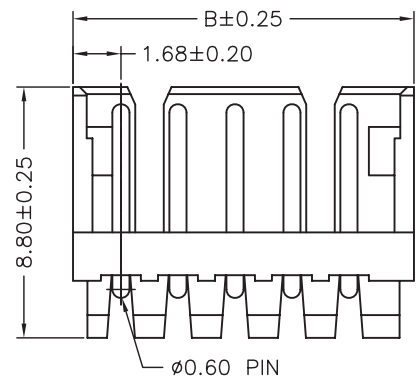
02P



SPECIFICATIONS

Current Rating: 4A AC,DC  
 Voltage Rating: 125V AC,DC  
 Temperature Range: -25°C ~ +85°C  
 Contact Resistance: 10mΩ Max.  
 Insulation Resistance: 1000MΩ Min.  
 Withstanding Voltage: 1000V AC/minute  
 Pin Material: Brass/Tin-plated  
 Material: Nylon 66,UL94V-0  
 Color: Natural

2.00±0.10  
A±0.20  
Circuit 1



Circuit No.	Dimensions		Circuit No.	Dimensions	
	A	B		A	B
02P	2.00	5.96	09P	16.00	19.96
03P	4.00	7.96	10P	18.00	21.96
04P	6.00	9.96	11P	20.00	23.96
05P	8.00	11.96	12P	22.00	25.96
06P	10.00	13.96	13P	24.00	27.96
07P	12.00	15.96	14P	26.00	29.96
08P	14.00	17.96	15P	28.00	31.96

UNLESS OTHERWISE SPECIFIED TOLERANCES

DECIMALS: X.X±0.25  
X.XX±0.15  
X.XXX±0.05

ANGLES: X :±2°  
X.X :±1°

Singatron Enterprise Co., Ltd.

TITLE	2.00mm PITCH 90° WAFER		
DWN	陳敏 2012.08.15	PART NO.	2WBA2013WR-XPXXXXXXX
CHKD		SCALE	1:1 UNIT: mm
APVD	黃正一 2012.08.15	SIZE: A3	SHEET: 1 OF 1 REV: A2
<b>CUSTOMER COPY</b>			

REV.	DESCRIPTION	DATE	NAME
A2	EN1303050065	2013.03.04	周繼亮
A1	EN1302160047	2013.02.16	郭木思
A0	NEW RELEASE	2012.08.15	陳敏