

1 2 3 4 5 6 7 8

F

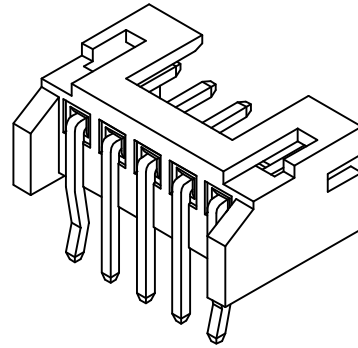
E

D

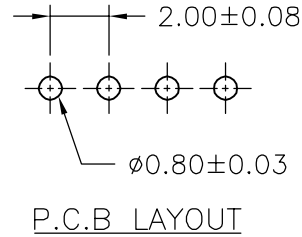
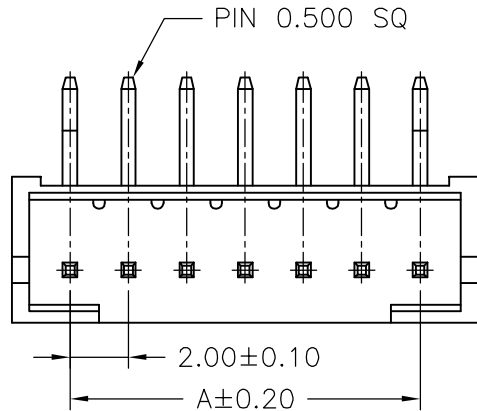
C

B

A



SPECIFICATIONS
 Current Rating: 3A AC,DC
 Voltage Rating: 300V AC,DC
 Temperature Range: -25°C ~ +85°C
 Contact Resistance: 20mΩ Max
 Insulation Resistance: 100MΩ Min
 Withstanding Voltage: 1000V AC/minute
 Pin Material: Brass/Tin-plated
 Material: Nylon 66,UL94V-0
 Pantone Color: 153C~154C

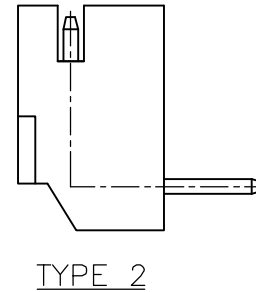
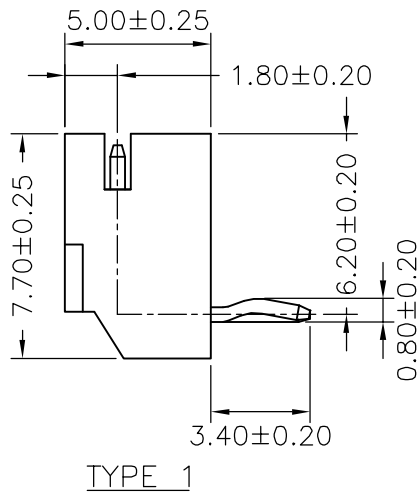
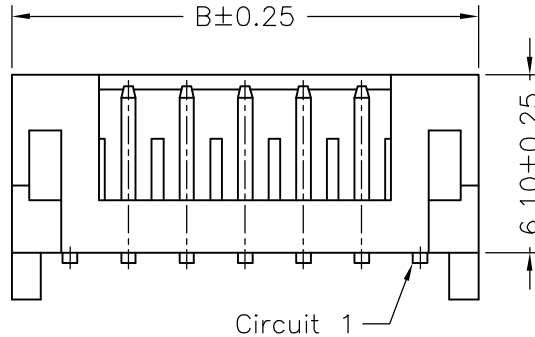


Ordering Information:
2WBA2100WR-XP*

- 1 Part No.
 2 Style:
 1-Type 1
 2-Type 2

Ordering Information & Dimensions

| PART NO. | Dimensions | |
|----------------|------------|-------|
| | A | B |
| 2WBA2100WR-02P | 2.00 | 6.00 |
| 2WBA2100WR-03P | 4.00 | 8.00 |
| 2WBA2100WR-04P | 6.00 | 10.00 |
| 2WBA2100WR-05P | 8.00 | 12.00 |
| 2WBA2100WR-06P | 10.00 | 14.00 |
| 2WBA2100WR-07P | 12.00 | 16.00 |
| 2WBA2100WR-08P | 14.00 | 18.00 |
| 2WBA2100WR-09P | 16.00 | 20.00 |
| 2WBA2100WR-10P | 18.00 | 22.00 |
| 2WBA2100WR-11P | 20.00 | 24.00 |
| 2WBA2100WR-12P | 22.00 | 26.00 |
| 2WBA2100WR-13P | 24.00 | 28.00 |
| 2WBA2100WR-14P | 26.00 | 30.00 |
| 2WBA2100WR-15P | 28.00 | 32.00 |



| | | | | |
|--------------------------------|------------------------|----------|----------------|---------------|
| Singatron Enterprise Co., Ltd. | | | | |
| TITLE | 2.00mm PITCH 90° WAFER | | | |
| DWN | 董正一 | PART NO. | 2WBA2100WR-XPX | |
| CHKD | 2001.02.01 | SCALE | 1:1 | UNIT: mm |
| APVD | 董正一 | SIZE | A3 | SHEET: 1 OF 1 |
| REV: B1 | | | | |
| CUSTOMER COPY | | | | |

| REV. | DESCRIPTION | DATE | GENERAL TOLERANCE | ANGLE± |
|------|-------------|------------|-------------------|--------|
| B1 | REVISE | 2009.04.23 | X.X±0.25 | ANGLE± |
| B0 | NEW RELEASE | 2006.01.07 | X.XX±0.15 | |
| | | | X.XXX±0.05 | |

1 2 3 4 5 6 7 8