

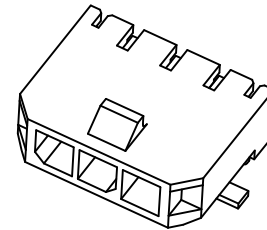
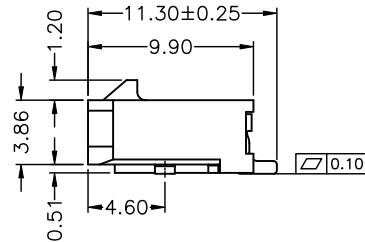
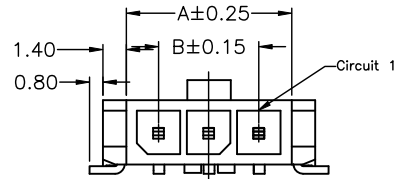
P/N LEGEND

2WBC3030 WRA-S-XP N L B XX X 00 R
 ① ② ③ ④ ⑤ ⑥ ⑦ ⑧ ⑨ ⑩ ⑪

- ① Series No.
- ② Connector type: WRA=Right angle A Type
- ③ Mounting type: S=SMT without post
- ④ No. of circuits
- ⑤ N=Halogen Free
- ⑥ Material: L=LCP,UL94V-0
- ⑦ Color: B=Black
- ⑧ Plating code for contacts:
 T1=Matte Tin-plated
 H1=Gold-flash on contact area,
 Tin-plated on solder area
- ⑨ Plating code for solder tabs:
 T=Matte Tin-plated
- ⑩ Option code: 00=Standard
- ⑪ Packing code:
 R=Tape & Reel(Without Cap or Mylar)

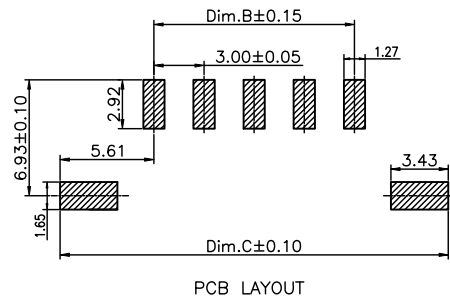
SPECIFICATIONS

Current Rating: 5A AC,DC
 Voltage Rating: 250V AC,DC
 Temperature Range: -25°C ~ +105°C
 Contact Resistance: 10mΩ Max
 Insulation Resistance: 1000MΩ Min
 Withstanding Voltage: 1500V AC/minute
 Pin Material: Copper Alloy / Matte Tin-plated
 Material: LCP,UL94V-0
 Color: Black



Ordering Information & Dimensions

Poles	Dimensions (mm)		
	A	B	C
2	6.85	3.00	14.20
3	9.85	6.00	17.20
4	12.85	9.00	20.20
5	15.85	12.00	23.20
6	18.85	15.00	26.20
7	21.85	18.00	29.20
8	24.85	21.00	32.20
9	27.85	24.00	35.20
10	30.85	27.00	38.20
11	33.85	30.00	41.20
12	36.85	33.00	44.20

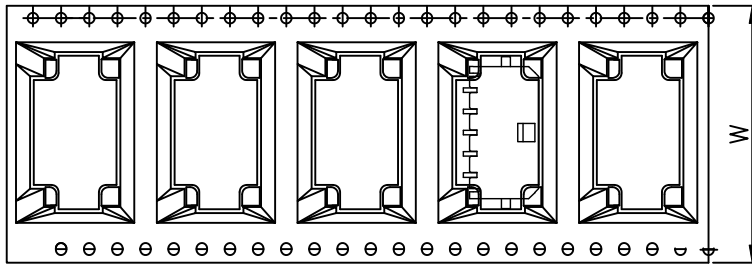
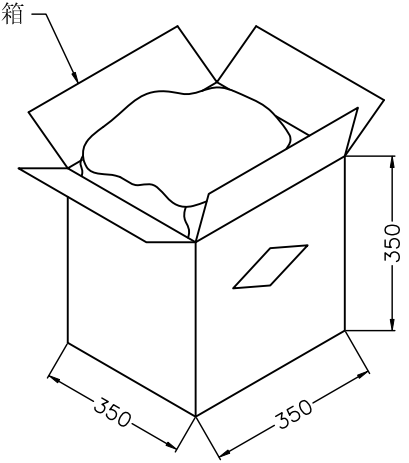
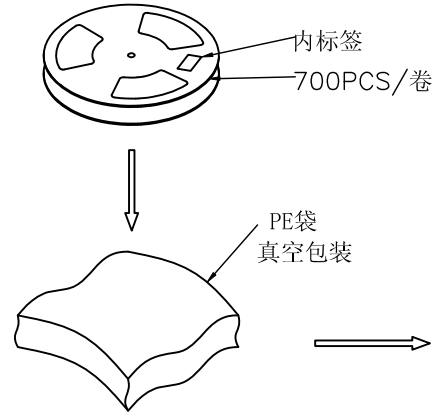
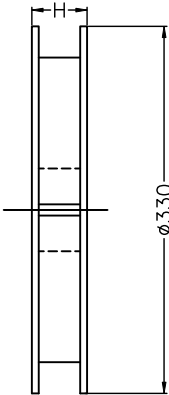
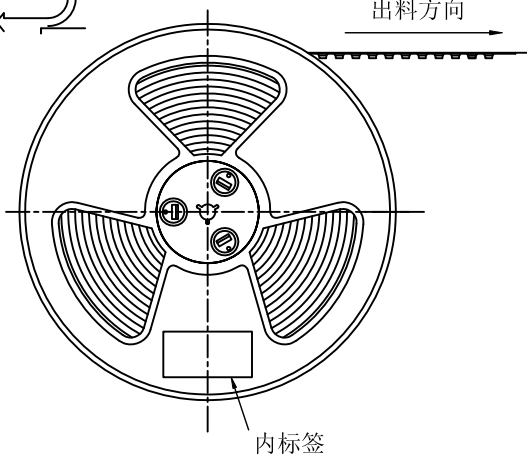


Singatron Enterprise Co., Ltd.

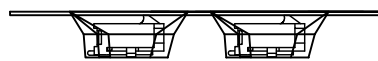
TITLE	3.0mm PITCH 90° WAFER-SMT SINGLE ROW TYPE			
DWN	向瑞	PART NO.	2WBC3030WRA-S-XPXXXXXXXXXX	
CHKD	2018.01.18	SCALE 1:1	UNIT: mm	☉
APVD	謝瑞清	SIZE: A3	SHEET: 1 of 2	REV: A1

REV.	DESCRIPTION	DATE	NAME	GENERAL TOLERANCE	ANGLE±
A1	EN1809200002	2018.09.25	任運宏	X.X±0.25	☉
A0	NEW RELEASE	2018.01.18	向瑞	X.XX±0.15	
				X.XXX±0.05	

CUSTOMER COPY



出料方向



注: 卷带包装时, 前、后各空9PCS.

PIN位	W	H	卷装数量	外箱数量
4P	32	36	700PCS	9卷=6300PCS
8P	44	48	700PCS	7卷=4900PCS
12P	56	60	700PCS	5卷=3500PCS

REV.	DESCRIPTION	DATE	NAME	GENERAL TOLERANCE	
A1	EN1809200002	2018.09.25	任運宏	X. X±0.25	ANGLE±
A0	NEW RELEASE	2018.01.18	向瑞	X. XX±0.15	
				X. XXX±0.05	

Singatron Enterprise Co., Ltd.					
TITLE	3.0mm PITCH 90° WAFER-SMT SINGLE ROW TYPE				
DWN	向瑞	PART NO.	2WBC3030WRA-S-XPXXXXXXX		
CHKD	2018.01.18	SCALE	1:1	UNIT:	mm
APVD	謝瑞清	SIZE:	A3	SHEET:	2 of 2
		REV:	A1		
CUSTOMER COPY					