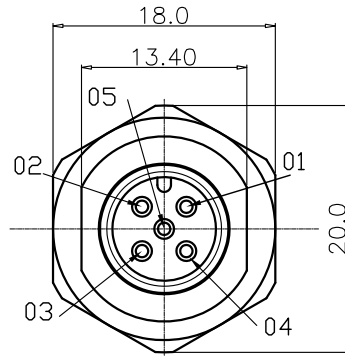
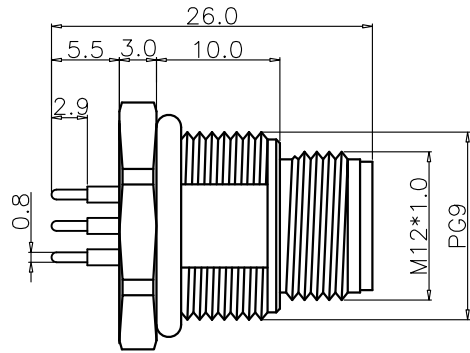


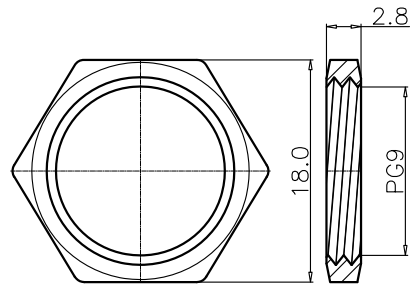
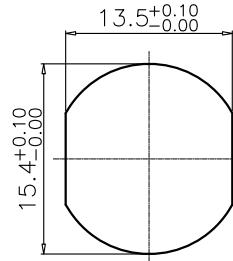
REV.	DESCRIPTION	APPROVED BY	DATE	ECN NO.
A	RELEASE	Fido Weng	04/03/10'	
B				
C				

TABLE A

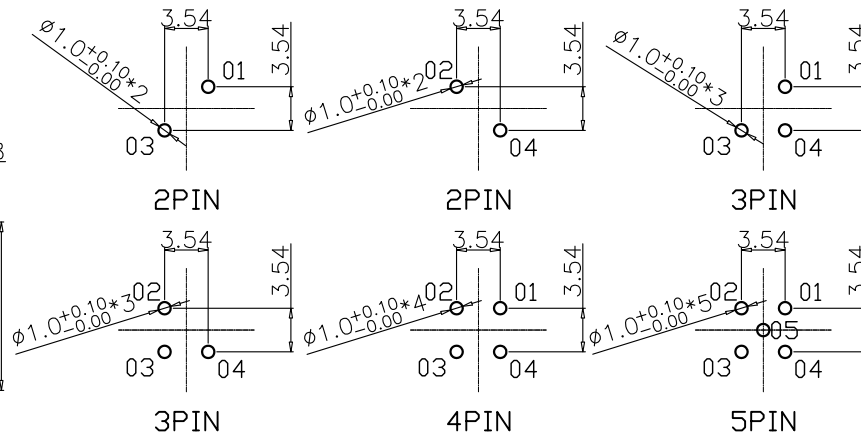
5PIN	3PIN	3PIN	
2WP-05M2-58 2WP-05M3-22-11	2WP-03M2-24 2WP-03M2-68-11	2WP-03M2-49-11 2WP-03M2-69-11	
4PIN	2PIN	2PIN	
2WP-04M2-66 2WP-04M3-16-11	2WP-02M2-14 2WP-02M3-11-11	2WP-02M3-09-11 2WP-02M3-10-11	
2WP-05M2-58	GOLD 10u"	2WP-05M3-22-11	GOLD FLASH
2WP-04M2-66	GOLD 10u"	2WP-04M3-16-11	GOLD FLASH
2WP-03M2-49-11	GOLD 10u"	2WP-03M2-69-11	GOLD FLASH
2WP-03M2-24	GOLD 10u"	2WP-03M2-68-11	GOLD FLASH
2WP-02M2-14	GOLD 10u"	2WP-02M3-11-11	GOLD FLASH
2WP-02M3-09-11	GOLD 10u"	2WP-02M3-10-11	GOLD FLASH
PART NO	FINISH	PART NO	FINISH



RECOMMEND PANEL CUT-OUT



NUT



RECOMMEND P.C.B LAYOUT

- MATERIAL :
 - HOUSING : PBT UL94V-0 ; COLOR : BLACK
 - CONTACT : BRASS
 - NUT : BRASS
 - SHELL : BRASS
 - O-RING : EPDM ; COLOR : BLACK
- FINISH :
 - CONTACT : SEE TABLE A
 - NUT : NICKEL PLATED
 - SHELL : NICKEL PLATED
- ELECTRICAL SPECIFICATION :
 - Rated current : 4A
 - Rated voltage : 2~4PIN 250V ; 5PIN 60V
 - Water proof: IP67/IP68
- Environmental :
 - Operation Temperature : -40C~85C

Singatron Enterprise Co., Ltd.

TITLE	防水頭 M12 A-Code (M) 前鎖 Pg9 插件式			
DWN	Ku Chou	PART NO.	2WP-XXM2-XX-XX	
CHKD	04/03/10'	SCALE	1:1	UNIT: mm
APVD	Fido Weng	SIZE	A3	SHEET: 1 OF 1
		REV:	A	

TOLERANCE	
.x	±0.20
.xx	±0.10
.xxx	±0.05
.xxxx	±0.03
ANGULA	±1°

CUSTOMER COPY