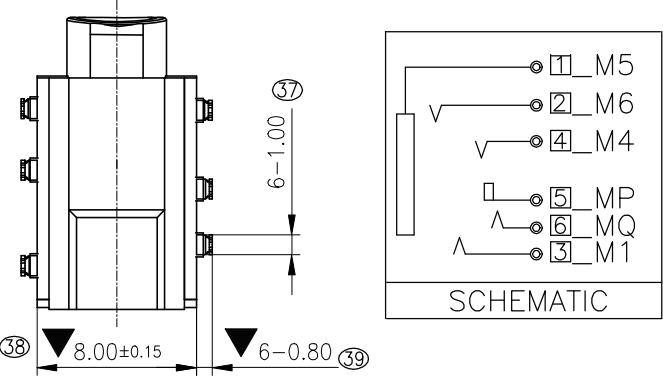
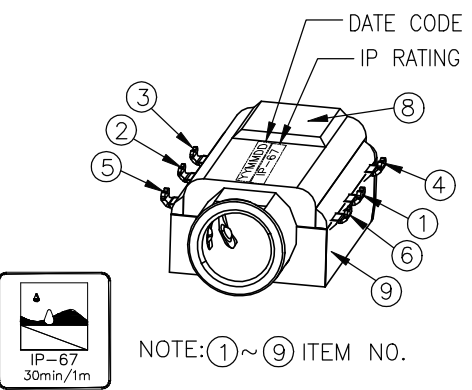
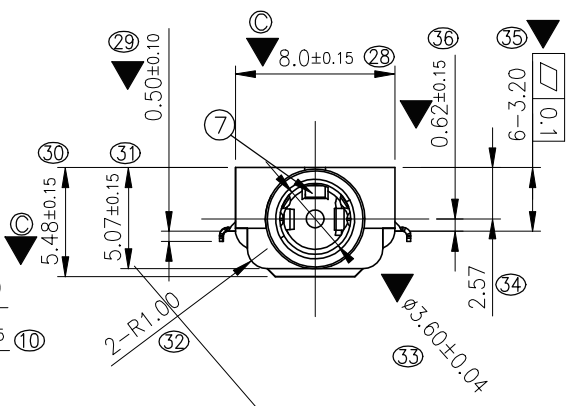
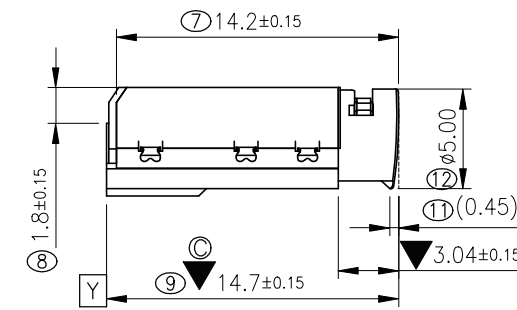
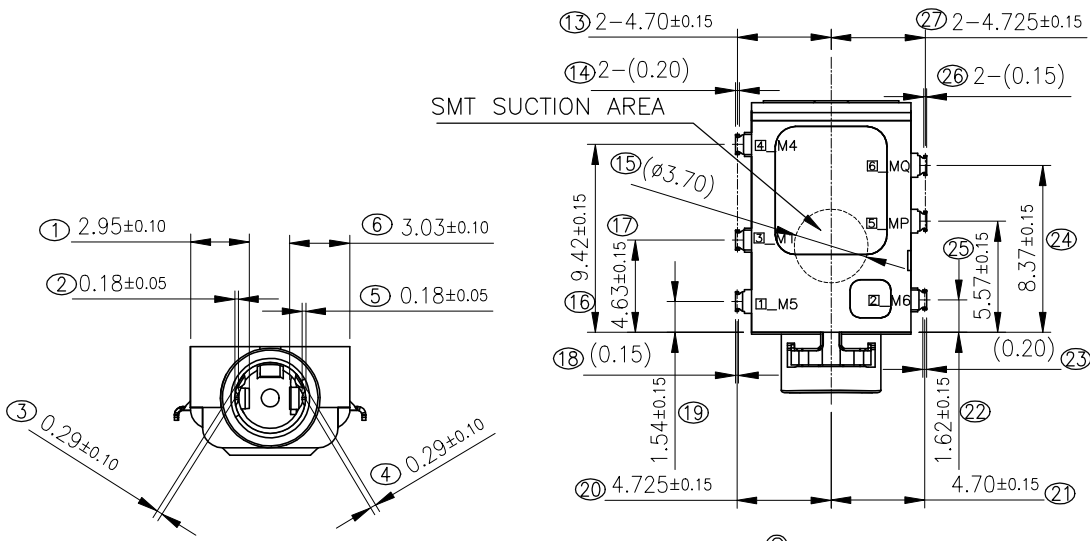


REV.	PART-NO.	DESCRIPTION	ISSUED
△	PDR-1811140006	First Release.	2018/12/26 LYH
△	DCN-1812058		
△	PDR-1811140006	Modify the waterproof ring label	2022/12/15 ANDY
△	ECN-2212006		

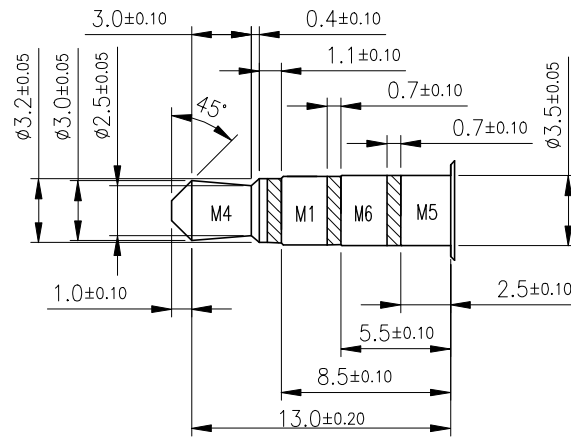


- NOTES:
- ELECTRICAL CHARACTERISTICS:
 - CONTACT RESISTANCE: 50mΩ MAX. (INITIAL)
100mΩ MAX. (FINAL)
 - DIELECTRIC WITHSTANDING VOLTAGE: 250V AC FOR ONE MINUTE
 - INSULATION RESISTANCE: MEASURED BY 500V DC
INITIAL 100MΩ MIN AFTER HUMIDITY TEST 50MΩ.
 - MECHANICAL CHARACTERISTICS:
 - PLUG INSERTION FORCE : 0.4~3.0 kgf (INITIAL).
0.3~3.0 kgf (FINAL) LIFE TEST.
 - PLUG WITHDRAWAL FORCE : 0.4~3.0 kgf (INITIAL).
0.3~3.0 kgf (FINAL) LIFE TEST.
 - DURABILITY TEST: 10,000 CYCLES.
 - FOR REFLOW SOLDERING LEAD-FREE PROCESS.
 - OPERATING TEMPERATURE: -30C° TO +85C° (INCLUDING TEMP RISE)
 - PLUG INTERFACE DIMENSIONS CONFORM TO EIAJ RC-5325 SPEC.
 - PACKAGING: TAPE&REEL.
 - CPK DIMENSIONS: ◎, CRITICAL DIMENSIONS : ▼
 - DATE CODE: YYMMDDXX
 - XX: LINE
 - DD: DAY (01~31)
 - MM: MONTH (01~12)
 - YY: YEAR (18~)

ITEM	DESCRIPTIONs	MATERIAL	FINISH	O'TY	NOTE
⑨	P2_HOUSING	PA-9T (GP2450NH) UL94V-0		1	BLACK
⑧	P1_HOUSING	PA-9T (GP2450NH) UL94V-0		1	BLACK
⑦	M4F_ASSIST PIN	Stainless Steel (SUS304)		1	
⑥	M5_GND-CONTACT	C5210SP-EH	AU G/F OVER ALL	1	
⑤	M6_R2-CONTACT	C5210SP-EH		1	
④	M4_TIP-CONTACT	Titanium Copper Alloy(YCUT-FX-H)	CONTACT AREA AU/5u" Min.	1	
③	MQ_ON CONTACT	C5210SP-EH	OTHERS AREA GOLD FLASH	1	
②	MP_OS CONTACT	C5210SP-EH		1	
①	M1_R-CONTACT	C5210SP-EH		1	

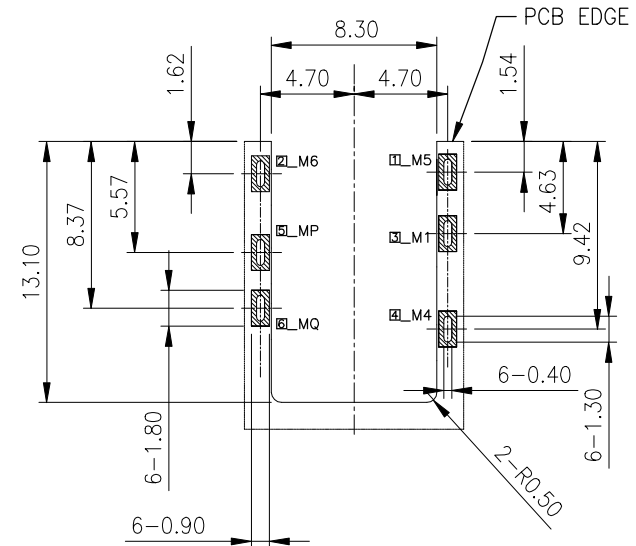
LEAD-FREE HALOGEN-FREE	UNLESS OTHERWISE SPECIFIED DIMENSION ARE IN MILLIMETERS TOLERANCE ARE : FRACTION DECIMALS ANGLES		Singatron Enterprise Co., Ltd.	
	.X ± 0.20 X°. ±5' .XX ± 0.15 .X° ±3'		TITLE ϕ3.5mm Audio Jack Mid-Mount	DWN ANDY PART NO. 2WP3E7D-YC50-412
			CHKD 2022/12/15 SCALE 1:1 UNIT: mm	
			APVD JACKY SIZE: A3 SHEET: 1 OF 4 REV: E	CUSTOMER COPY

REV.	PART-NO.	DESCRIPTION	ISSUED
A	PDR-1811140006	First Release.	2018/12/26
E*1	DCN-1812058 PDR-1811140006 ECN-2212006	Modify the waterproof ring label	LYH 2022/12/15 ANDY



REFERENCE 4 POLE PLUG

NOTE: ① ~ ⑥ SCHEMATIC NO.



RECOMMENDED PADS LAYOUT

<TOP VIEW>

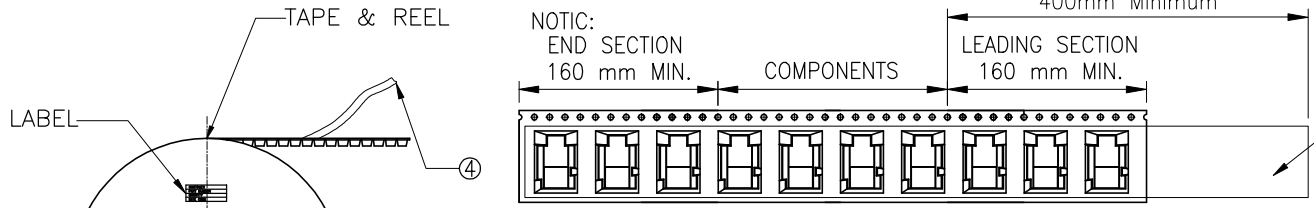
NOTE : TOLERANCE FOR PCB LAYOUT IS ±0.05



■ LEAD-FREE ■ HALOGEN-FREE	UNLESS OTHERWISE SPECIFIED DIMENSION ARE IN MILLIMETERS TOLERANCE ARE : FRACTION DECIMALS ANGLES		Singatron Enterprise Co., Ltd.		
	.X ± 0.20 .XX ± 0.15	X° ± 5° .X° ± 3°	TITLE φ3.5mm Audio Jack Mid-Mount	DWN ANDY	PART NO. 2WP3E7D-YC50-412
		CHKD 2022/12/15	SCALE 1:1	UNIT: mm	
		APVD JACKY	SIZE: A3	SHEET: 2 OF 4	REV: E
CUSTOMER COPY					

1 2 3 4 5 6 7 8

REV.	PART-NO.	DESCRIPTION	ISSUED
△	PDR-1811140006	First Release.	2018/12/26 LYH
△*1	PDR-1811140006	Modify the waterproof ring label	2022/12/15 ANDY
E	ECN-2212006		



NOTE :

1.MATERIAL :

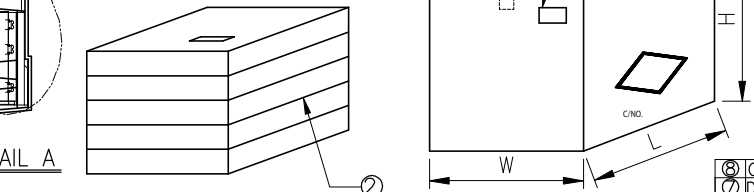
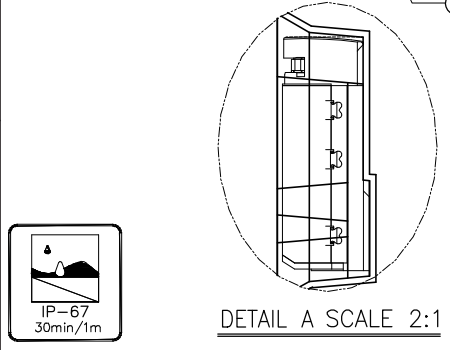
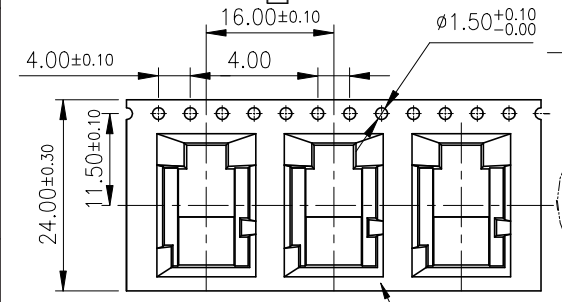
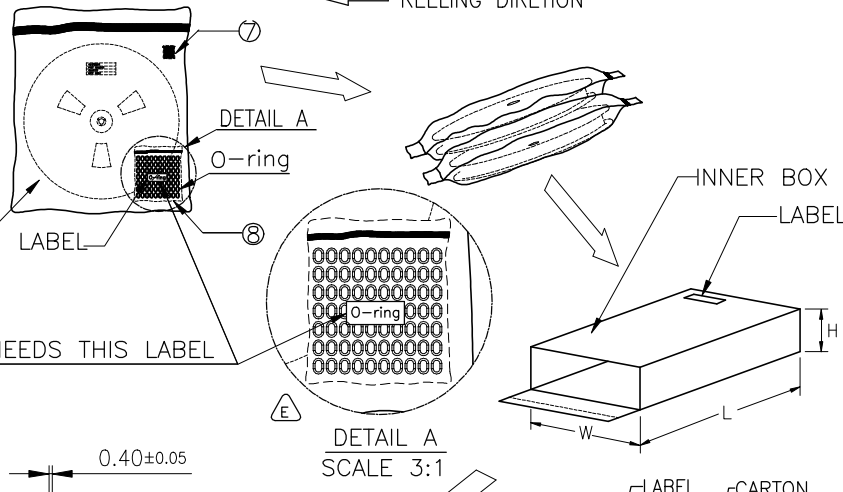
- REEL: PS
- CARRIER: PS
- COVER TAPE: PET

2.DIMENSION :

- REEL SIZE:
DIA=330.0mm, W=24.0mm
- INNER BOX:
L=387mm, W=387mm H=67mm
- CARTON:
L=420mm, W=406mm, H=380mm

3.QUANTITY:

- 600 PCS PRODUCTS/1 REEL AND 600PCS O-RING/1 PE BAG
- 2 REEL/INNER BOX:1200PCS PRODUCTS/ REEL AND 1200PCS O-RING/2 PE BAG
- 5 INNER BOX/CARTON:6000PCS PRODUCTS/ REEL AND 6000PCS O-RING/10 PE BAG



⑧ O-ring PE BAG	PE		10		
⑦ DESICCANT			10		
⑥ PE BAG	PE	VACUUM SEAL	10		
⑤ CARRIER TAPE	PS		4		
④ COVER TAPE	PET		1		
③ REEL ASSY	PS		10		
② INNER BOX	7+A		5		
① CARTON	K=K		1		
ITEM	DESCRIPTIONs	MATERIAL	FINISH	Q'TY	NOTE

<p>LEAD-FREE</p> <p>HALOGEN-FREE</p>	<p>UNLESS OTHERWISE SPECIFIED DIMENSION ARE IN MILLIMETERS TOLERANCE ARE : FRACTION DECIMALs ANGLES</p>				<p>Singatron Enterprise Co., Ltd.</p>				
	TITLE	ø3.5mm Audio Jack Mid-Mount							
	DWN	ANDY	PART NO.	2WP3E7D-YC50-412					
	CHKD	2022/12/15	SCALE	1:1	UNIT:	mm			
	APVD	JACKY	SIZE:	A3	SHEET:	4 OF 4	REV:	E	
<p>CUSTOMER COPY</p>									

1 2 3 4 5 6 7 8