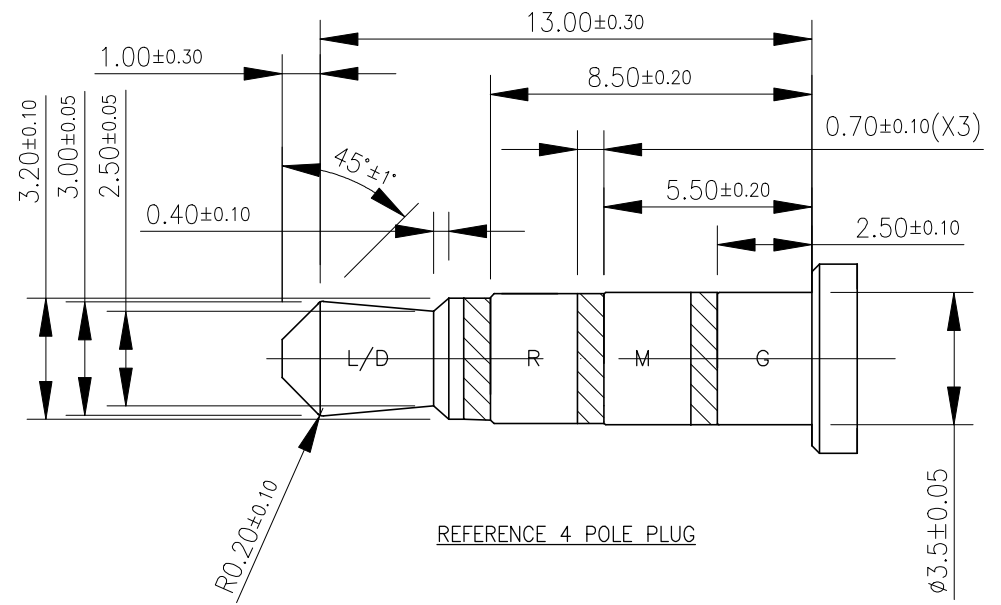
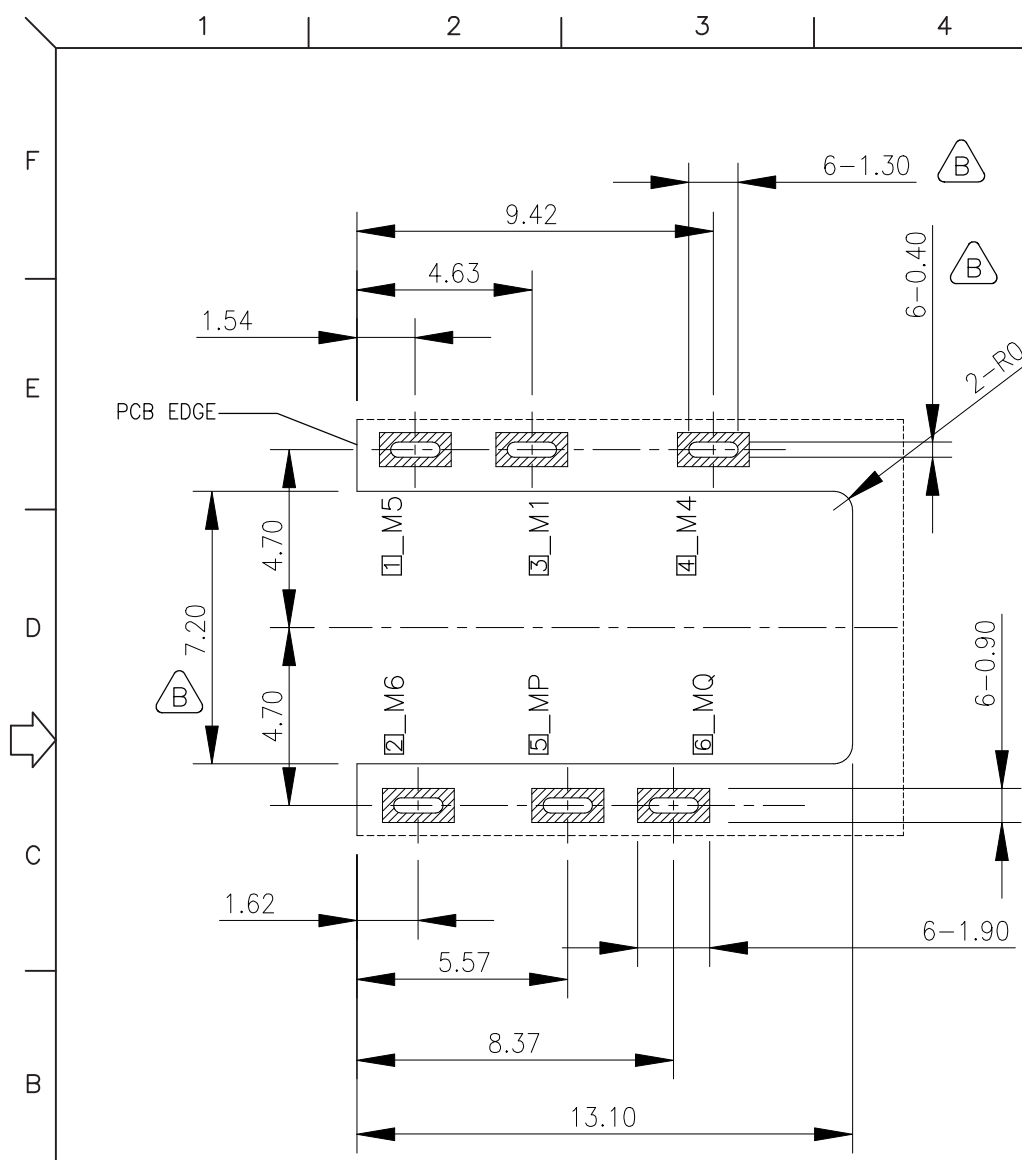


REV.	PART-NO.	DESCRIPTION	ISSUED
A	PDR-1401160004 DCN-1406038	DRAWING RELEASE	2014/06/24 Squall Lo
C	PDR-1501180001 ECN-1805012	Modify The Material	2019/01/02 WRG



NOTE: ① ~ ⑥ SCHEMATIC NO.
RECOMMENDED PADS LAYOUT
<TOP VIEW>
NOTE : TOLERANCE FOR PCB LAYOUT IS ±0.05

CUSTOMER

■ LEAD-FREE
 ■ HALOGEN-FREE
 UNLESS OTHERWISE SPECIFIED
 DIMENSION ARE IN MILLIMETERS
 TOLERANCE ARE :
 FRACTION DECIMALS ANGLES
 .X ± 0.15 X' ± 5'
 .XX ± 0.10 .X' ± 3'
 3rd ANGLE PROJECTION

Singatron Enterprise Co., Ltd.				
TITLE	3.5Ømm EARPHONE JACK			
DWN	WRG	PART NO. 2WP3E7F-Y050-412		
CHKD	2019.01.02	SCALE 1:1	UNIT: mm	
APVD	KELVIN	SIZE: A3	SHEET: 2 OF 2	REV: C
CUSTOMER COPY				