

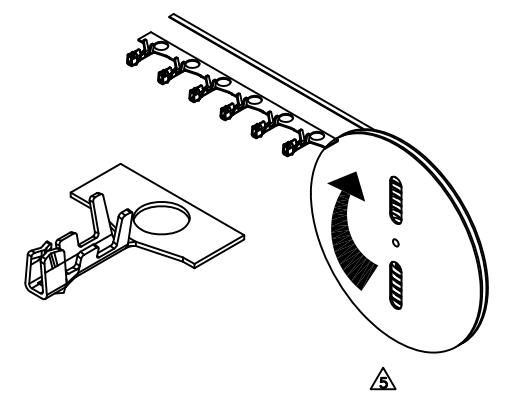
▲ SPECIFICATIONS

- Current Rating : 1A (Max) AC/DC
- Withstanding Voltage : 125V AC /minute
- Insulation Resistance : 100MΩ min
- Temperature Range : - 40℃ to + 85℃
- Contact Resistance : 20mΩ max

■ TERMINAL

- Part No. : 2WT1146-TX : GP Produces

- ▲ ① Finish : Blank : Tin Plated (Stamping after Plated)
- TG : Gold Flash (Stamping after Plated)
- ▲ TP : Tin Plated (Stamping before Plated)
- Applicable Wires : AWG# 28 - 32
- Material : Phos. Bronze
- Thickness : 0.15mm
- Q' ty : 15,000 Pcs./Reel



TOLERANCE		LTR	REVISION RECORD	NAME	DATE	Singatron Enterprise Co., Ltd.				
.0	±0.30	▲	Modify Spec.	Wen	2005/09/20	TITLE	1.25mm Crimp Style Connectors Terminal			
.00	±0.20	▲	Chang Lost	XXX	XXXX/XX/XX		DWN	劉娜	PART NO.	2WT1146-TX
.000	±0.10	▲	Modify tolerance	Ping	2010/05/05			周家慶	SCALE 1:1	UNIT: mm
ANGLE		▲	Add Finish options	Wanying	2015/08/25	APVD	張育瑞	SIZE: A3	SHEET: 1 OF 1	
0°	±1°	▲	add packing figure	Jeff	2016/06/15	REV: a6				
.0°	±	▲	新增TP料號規格	劉娜	2018/07/17	CUSTOMER COPY				