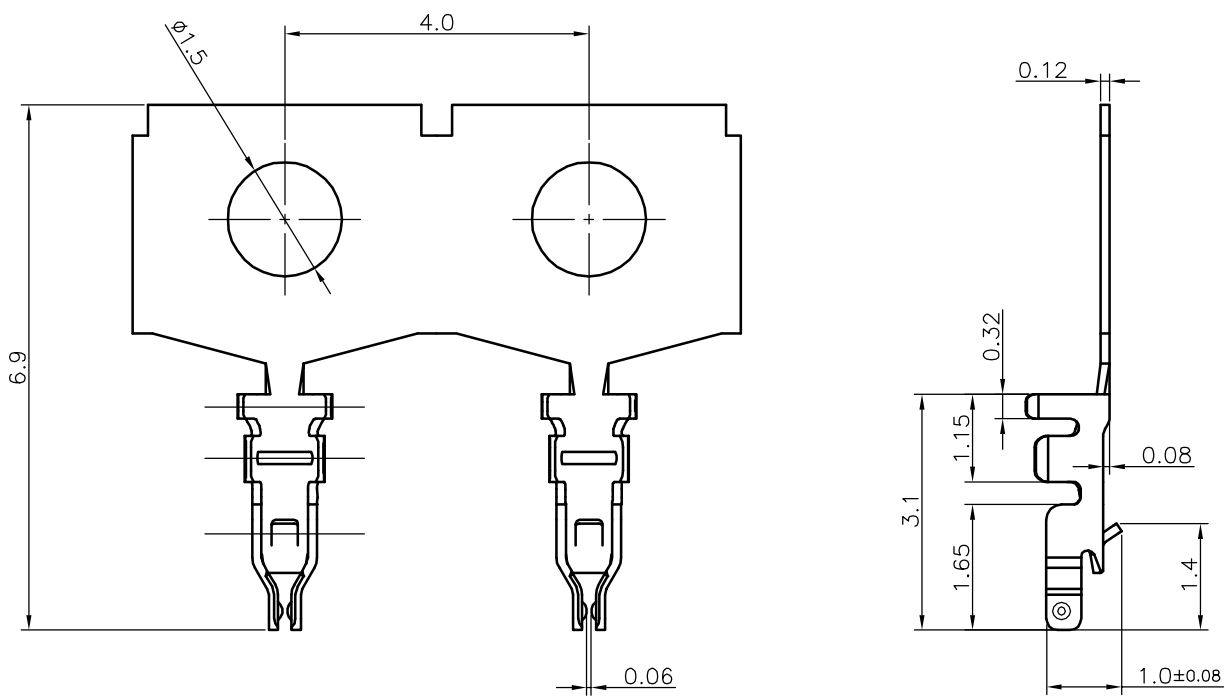


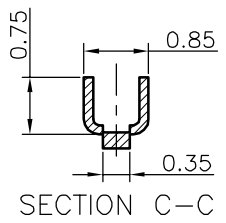
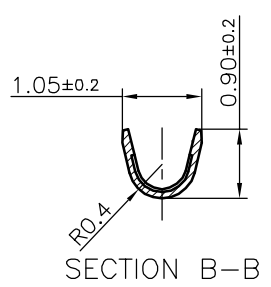
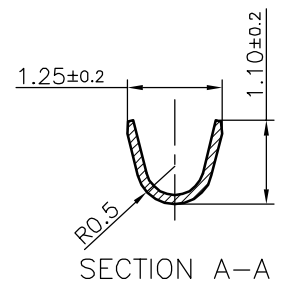
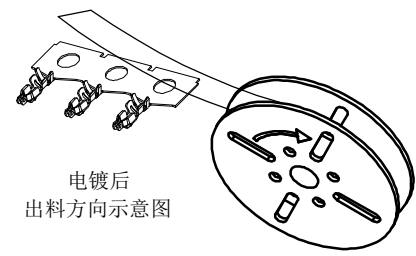
REV.	ECN NO.	REVISIONS	REV.DRAWN	DATE
A		正式版发行	Asimo	2010/01/08
B		增加亮锡电镀规格	sunquan	2010/12/07



NOTES:

1. MATERIAL: COPPER ALLOY
2. FINISH: SEE PART No.
3. Q'TY : 20,000 PCS/REEL
4. APPLICABLE WIRES: AWG#30~28
5. PART No.

2WT1201-TXX
 TIN PLATED — 2: SN>100 μ " NI>30 μ "
 GOLD PLATED — GO: AU>0.8 μ " NI>30 μ "



符合环境管理物质

Singatron Enterprise Co., Ltd.			
TITLE	1.20mm Pitch Wire to Board Connector		
DWN	Asimo 2010/01/08	PART NO.	2WT1201-TXX
CHKD	SCALE 1:1	UNIT: mm	⊕ ↗
APVD	sunquan 2010/12/07	SIZE: A3	SHEET: 1 OF 1 REV: B
CUSTOMER COPY			