

1 2 3 4 5 6 7 8

F

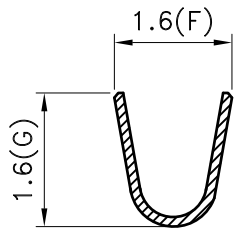
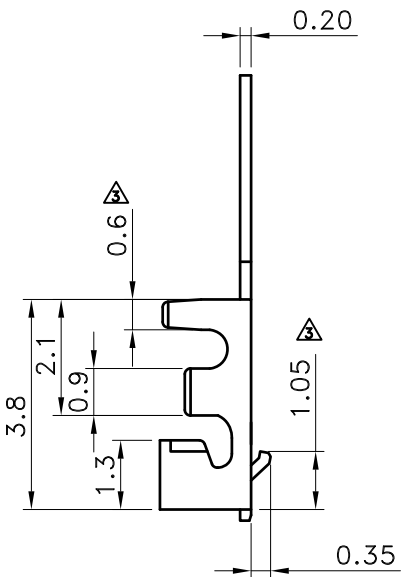
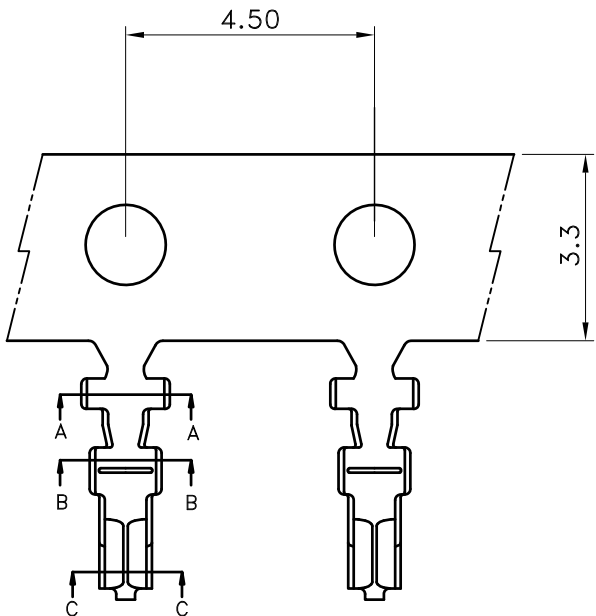
E

D

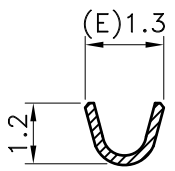
C

B

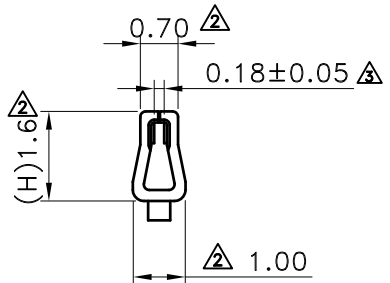
A



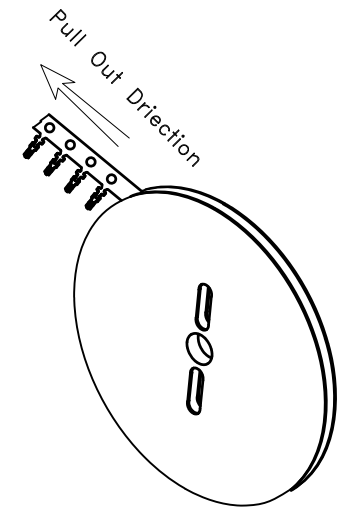
A-A SEC



B-B SEC



C-C SEC



▲ **SPECIFICATIONS**

- Current Rating : 1A AC/DC
- Withstanding Voltage : 500V AC/minute
- Insulation Resistance : 100MΩ min.
- Temperature Range : - 25°C ~ + 85°C
- Contact Resistance : 20mΩ max.

■ **TERMINAL**

- Part No. :2WT1250-TX
- ▲ Code No. ①
- ① Blank : Tin Plated Over Nickel
P : Pressing Before Tin Plated Over Nickel
- Applicable Wires : AWG# 28 ~ 32
- Material : Phosphor Bronze
- Finish : Tin Plated
- Thickness : 0.2mm
- Q' ty : 15,000 pcs./Reel

TOLERANCE	LTR	REVISION RECORD	NAME	DATE
.0	±0.30	▲		
.00	±0.20	▲	合併圖面&公差修改	劉怡萱 11/03/30
.000	±0.10	▲	產品外觀修正, 增加尺寸標註	吳弘文 14/09/12
		▲	增加端子捲繞方向圖	吳弘文 14/10/24
ANGLE				
0°	±1°	▲		
.0°	±	▲		
SHEET	1/1	▲		

Singatron Enterprise Co., Ltd.

TITLE	1.25mm Crimp Style Connectors Terminal			
DWN	吳弘文	PART NO. 2WT1250-TX		
CHKD	周慈雲	SCALE 1:1	UNIT: mm	④
APVD	張育瑞	SIZE: A3	SHEET: 1 OF 1	REV: a4
CUSTOMER COPY				

1 2 3 4 5 6 7 8