

1 2 3 4 5 6 7 8

F

E

D

C

B

A

F

E

D

C

B

A

REV	ECN.NO.	REVISIONS	REV.DRAWN	DATE
A		初版发行	sunquan	2012/10/15
B		增加T4规格	sunquan	2012/11/07
C		更正接触阻抗为30mΩ max	sunquan	2013/09/06
C1		更正	sunquan	

SPECIFICATIONS

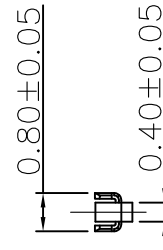
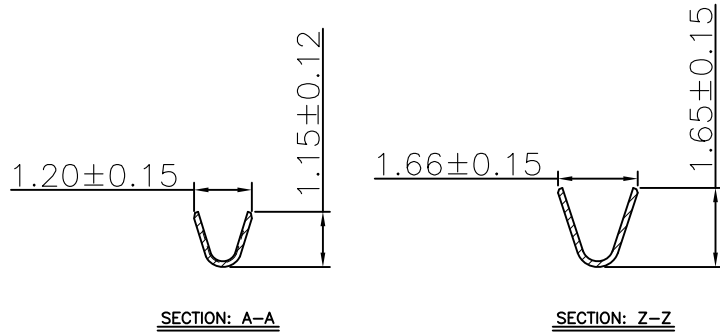
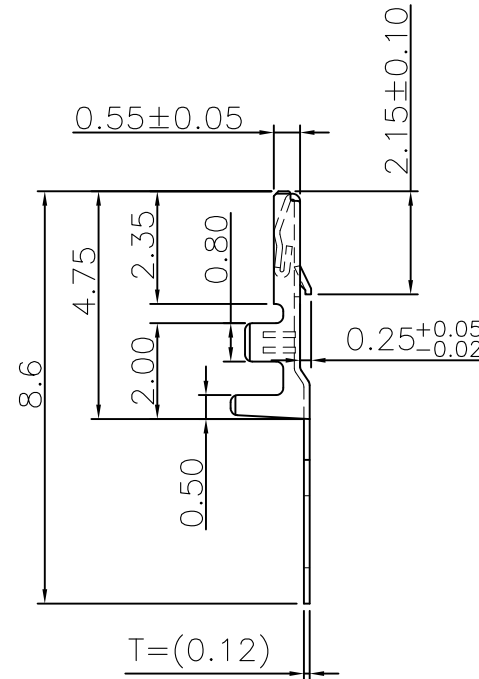
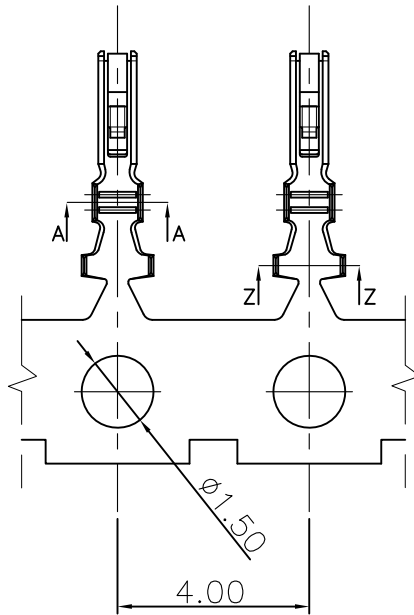
- . Voltage Rating : 50V AC/DC
- . Current Rating : 1A AC/DC
- . Withstanding Voltage : 500V AC/minute
- . Insulation Resistance : 100MΩ min
- . Temperature Range : -25°C to +85°C
- . Contact Resistance : 30mΩ max

TERMINAL

. Part No. : 2WT1288S-TXX

- Tin Plated: p or 2: Sn>100μ" Ni>30μ"
 4: Sn>50μ" Ni>10μ"
 Gold Plated: G0: Au>0.8μ" Ni>30μ"
 G1: Au>3μ" Ni>30μ"
 G2: Au>5μ" Ni>50μ"
 G3: Au>8μ" Ni>50μ"
 G4: Au>15μ" Ni>50μ"

- . Applicable Wires : AWG# 26~30
- . Material : Phos. Bronze
- . Finish : Tin/Gold Plated
- . Thickness : 0.12mm
- . Q'ty : 15,000 pcs/Reel



符合环境管理物质

1 2 3 4 5 6 7 8

Singatron Enterprise Co., Ltd.			
TITLE	SHLD CONNECTOR TERMINAL		
DWN	sunquan 2012.10.15	PART NO. 2WT1288S-TXX	
CHKD	SCALE 1:1	UNIT: mm	④ ↗
APVD	SIZE: A3	SHEET: 1 OF 1	REV: C1
CUSTOMER COPY			