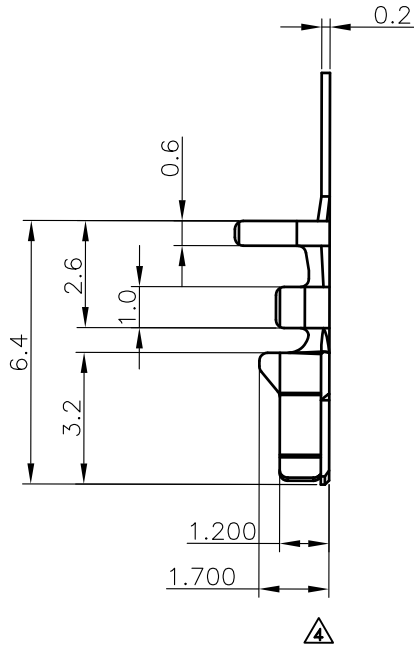
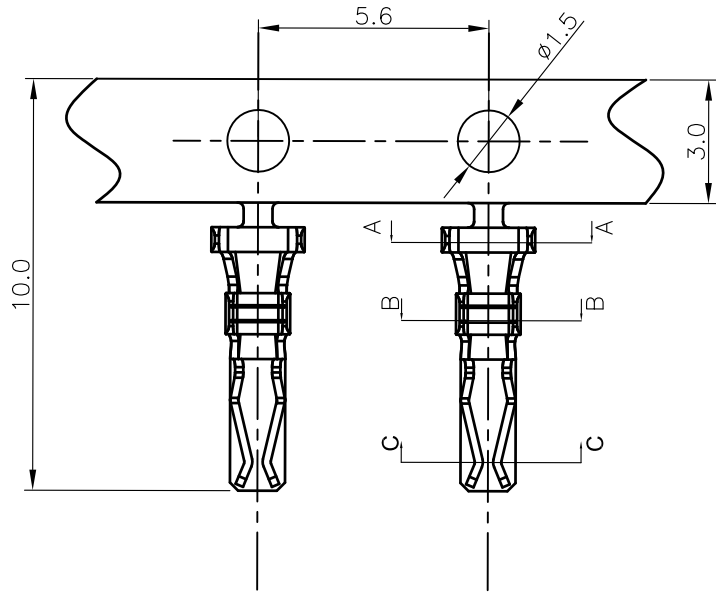
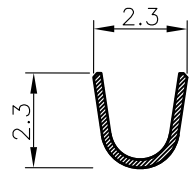


1 2 3 4 5 6 7 8

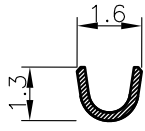


■ SPECIFICATIONS  
 \*Current Rating : 3A AC/DC  
 \*Withstanding Voltage : 1000V AC/minute  
 \*Insulation Resistance : 1000MΩ min  
 \*Temperature Range : - 25℃ to + 85℃  
 \*Contact Resistance : 20mΩ max

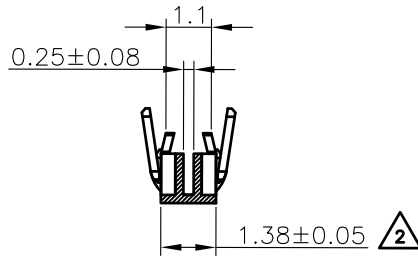
■ TERMINAL  
 \*Part No.:2WT2003-TX  
 Code No : ①  
 ① Manufacture:Blank : Plating Befor Stamped  
 P : Stamping Befor Plated  
 \*Applicable Wires : AWG # 22 - 30  
 \*Material : Phos. Bronze,Tin Plated  
 \*Thickness : 0.2mm  
 \*Q' ty : 15,000 pcs./Reel



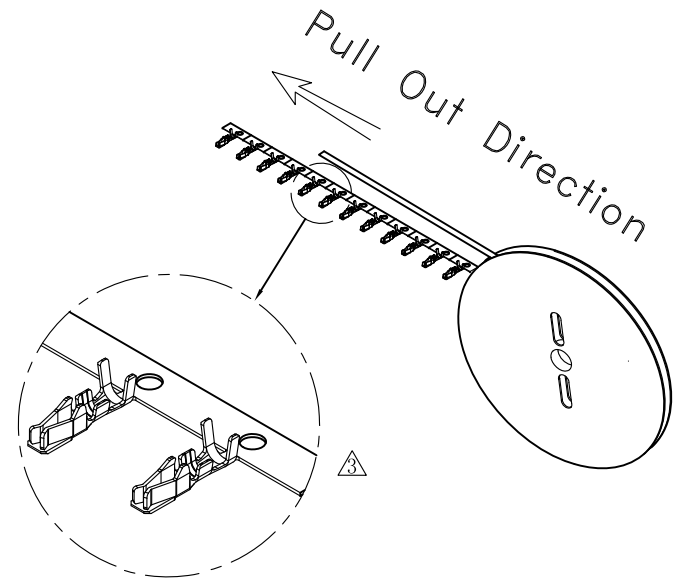
A-A SEC



B-B SEC



C-C SEC



TOLERANCE	LTR	REVISION RECORD	NAME	DATE	LTR	REVISION RECORD	NAME	DATE
.0	±0.30	①	林文泰	2010/01/13	①			
.00	±0.20	②	林文泰	2010/06/25	②			
.000	±0.10	③	吳弘文	2014/10/17	③			
ANGLE		④	吳弘文	2014/10/28	④			
0°	±1°	⑤						
.0°	±	⑥						
SHEET	1/1	⑦						

Singatron Enterprise Co., Ltd.

TITLE	2.00mm Crimp Style Connectors Terminal		
DWN	吳弘文	PART NO.	2WT2003-TX
CHKD	周慈雲	SCALE	1:1 UNIT: mm
APVD	張育瑞	SIZE	A3 SHEET:1 OF 1 REV:a4

CUSTOMER  
 Conforms to The RoHS Instruction

CUSTOMER COPY

1 2 3 4 5 6 7 8