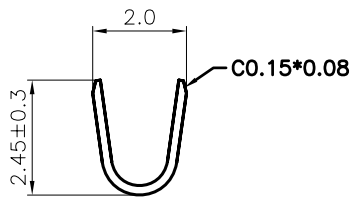
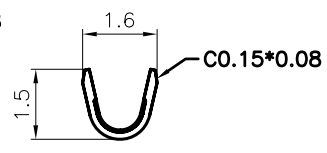


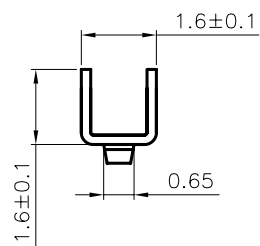
電鍍區域



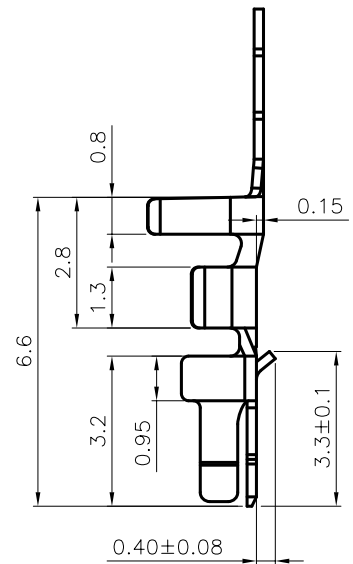
SEC.A-A



SEC.B-B



SEC.C-C



SPECIFICATIONS

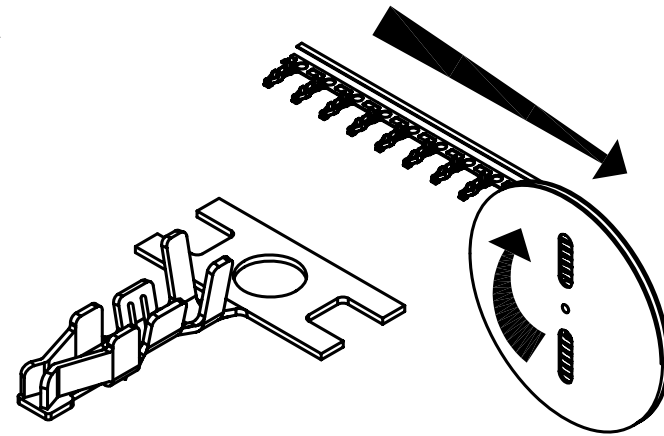
- Current Rating : 3A AC/DC
- Withstanding Voltage : 800V AC/minute
- Insulation Resistance : 1,000M Ω min
- Temperature Range : - 25°C to + 85°C
- Contact Resistance : 20m Ω max

TERMINAL

- Part No. : 2WT2007-TXX

PLATING
Blank: Tin Plated
Stamping Befor Plated
G0:Gold Plated

- Applicable Wires : AWG# 22 - 28
- Material : Phos. Bronze
- Thickness : 0.2mm
- Q' ty: 10,000 pcs./Reel



TOLERANCE	LTR	REVISION RECORD	NAME	DATE
.0	±0.3	▲	龔志紅	05/05/17
.00	±0.2	▲	林豐盛	11/01/31
.000	±0.1	▲	胡丹桂	11/11/14
ANGLE		▲		
0°	±1°	▲		
.0°	±	▲		
SHEET	1/1	▲		

Singatron Enterprise Co., Ltd.

TITLE	2.00mm Crimp Style Connectors Terminal		
DWN	胡丹桂	PART NO.2WT2007-TXX	
CHKD	周家慶	SCALE 1:1	UNIT: mm
APVD	張育瑞	SIZE: A3	SHEET:1 OF 1

CUSTOMER COPY