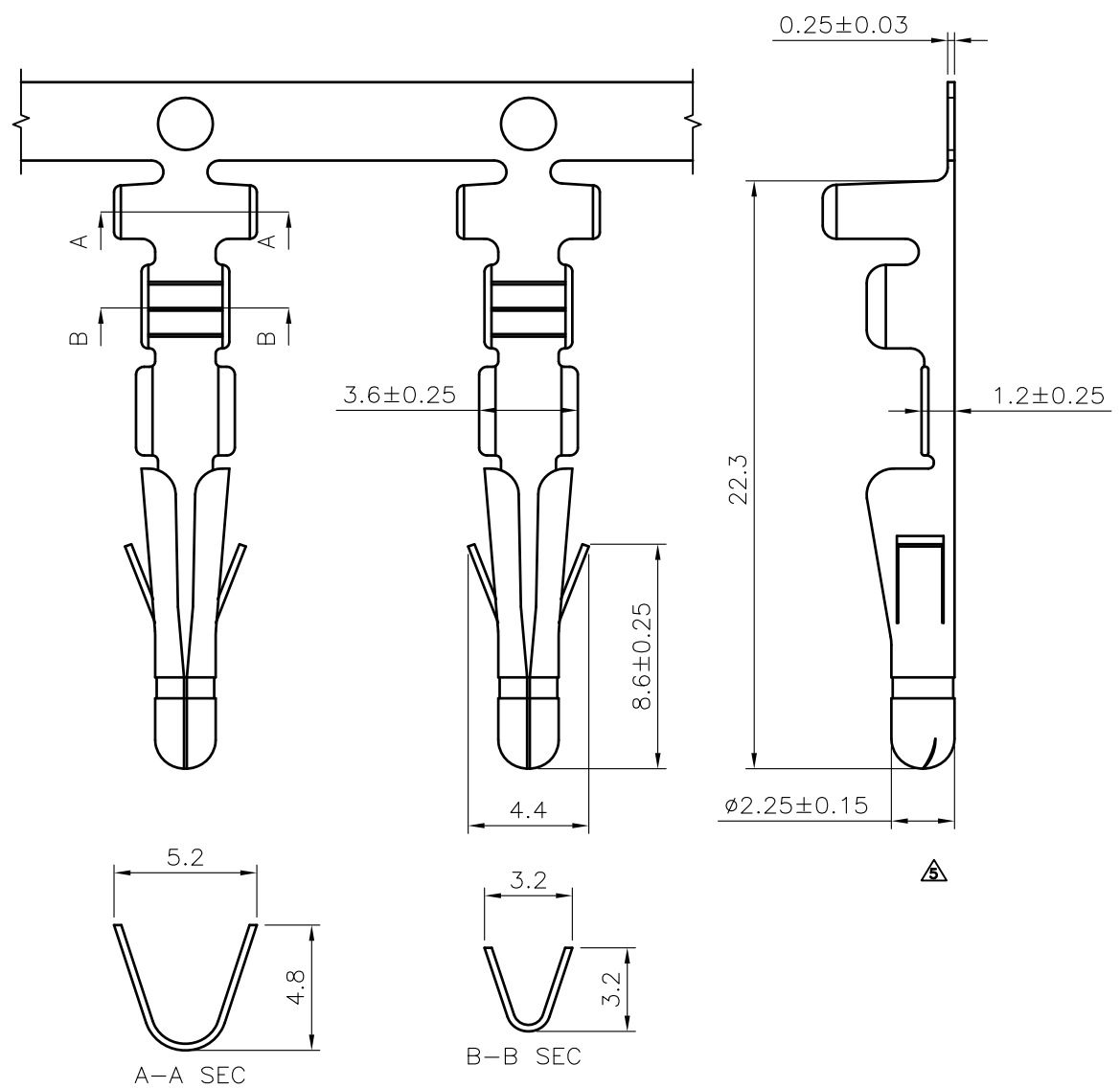
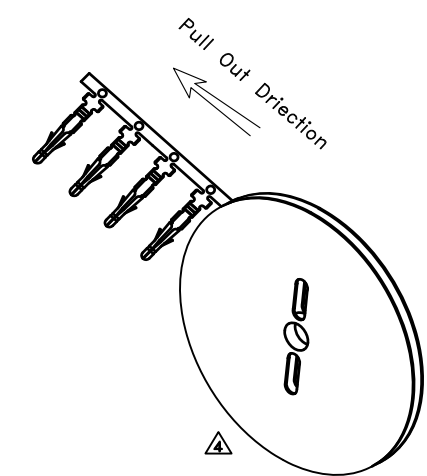


1 2 3 4 5 6 7 8

F
E
D
C
B
A



- ▲ SPECIFICATIONS**
- Voltage Rating : Pitch : 6.7mm 600V AC/DC
Pitch : 5.03mm 250V AC/DC
 - Current Rating : Pitch : 6.7mm 17A AC/DC
Pitch : 5.03mm 12A AC/DC
 - Withstanding Voltage : 2,000V AC/minute
 - Insulation Resistance : 1,000M Ω min.
 - Temperature Range : -40°C~+105°C
 - Contact Resistance : 20m Ω max.
- TERMINAL**
- Part No. : 2WT2330BS-2H
 - Applicable Wires : AWG# 14 - 18
 - Material : Brass
 - Finish : Tin Plated
 - Thickness : 0.25mm
 - Q'ty : 3,500 pcs/Reel



TOLERANCE	LTR	REVISION RECORD	NAME	DATE	LTR	REVISION RECORD	NAME	DATE
.0	± 0.30	① 200407-020	邱森鴻	2004/07/22	⑧			
.00	± 0.20	② 200706-019	黃科源	2007/06/27	⑨			
.000	± 0.10	③ 依規格書修改SPEC.	張逸維	2013/06/10	⑩			
ANGLE		④ 增加端子捲繞方向圖	吳弘文	2014/10/23	CUSTOMER			
0°	$\pm 1°$	⑤ 修正側視圖	吳弘文	2014/10/29				
.0°	\pm	⑥						
SHEET	1/1	⑦			Conforms to The RoHS Instruction			

Singatron Enterprise Co., Ltd.				
TITLE	$\phi 2.36$ mm Power Connectors Terminal			
DWN	吳弘文	PART NO.	2WT2330BS-2H	
CHKD	周慈雲	SCALE	1:1	UNIT: mm
APVD	張育瑞	SIZE:	A3	SHEET: 1 OF 1
REV: a5				
CUSTOMER COPY				

1 2 3 4 5 6 7 8