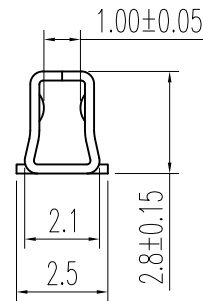
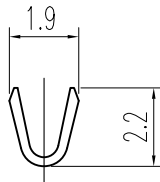
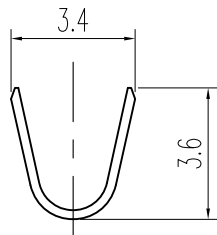
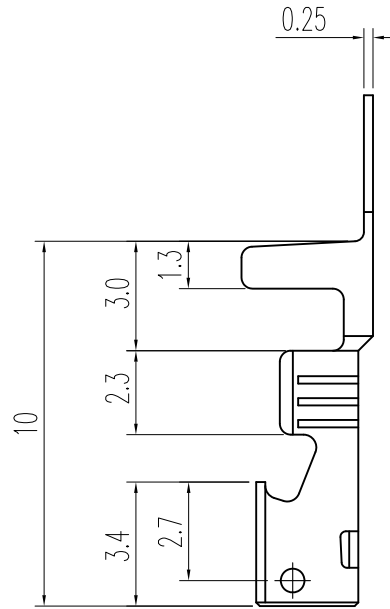
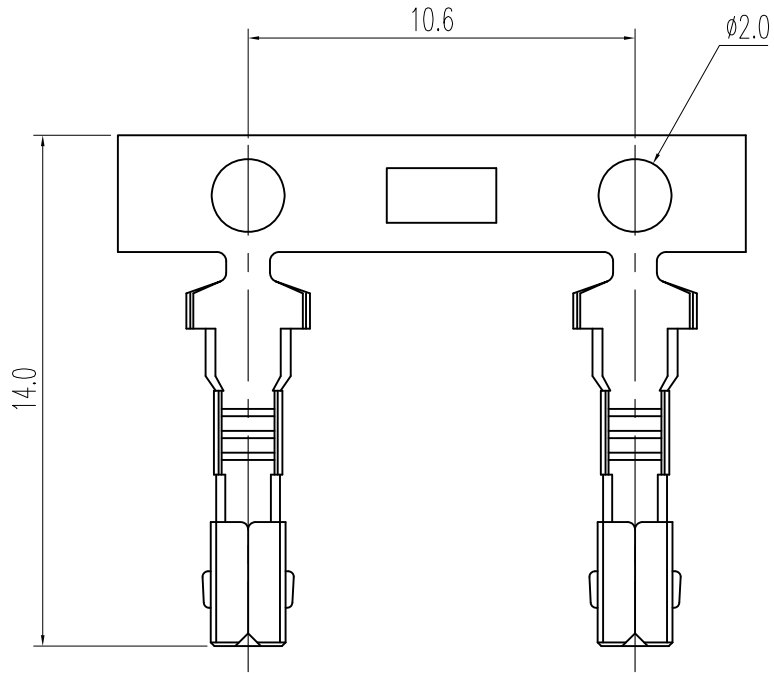


1 2 3 4 5 6 7 8

F
E
D
C
B
A

F
E
D
C
B
A

REV	ECN.NO.	REVISIONS	DRAWN	DATE
A		初版发行	SUN	2009/01/04
B		增加先冲后镀电镀规格	Asimo	2011/07/12



NOTES:

1. MATERIAL: COPPER ALLOY
2. FINISH: SEE PART No.
3. APPLICABLE WIRES: AWG#24~20
4. PART No.

2WT 2420-TLX

BLANK:PRE-TIN PLATED

Sn>50μ Ni>10μ

P:STAMPING BEFORE PLATING

Sn>100μ Ni>30μ

X.±	0.40	X°.±	5.00°
.X±	0.30	.X°.±	2.00°
.XX±	0.20	.XX°.±	1.00°
.XXX±	0.10	.XXX°.±	--

Singatron Enterprise Co., Ltd.

TITLE	TERMINAL-SOCKET		
DWN	SUN	PART NO.	2WT2420-TL
CHKD		SCALE	1:1 UNIT: mm
APVD	liuzhiwen	SIZE	A3 SHEET:1 OF 1 REV:

THESE DRAWINGS AND SPECIFICATIONS ARE THE PROPERTY OF CHYAO SHIUNN ELECTRONIC CO., LTD. AND SHALL NOT BE REPRODUCED, COPIED OR USED IN ANY MANNER WITHOUT THE PRIOR WRITTEN CONSENT OF CHYAO SHIUNN ELECTRONIC CO. LTD.

CUSTOMER COPY

1 2 3 4 5 6 7 8