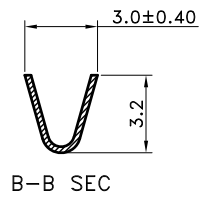
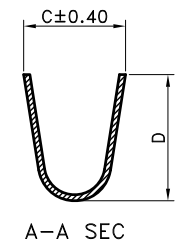
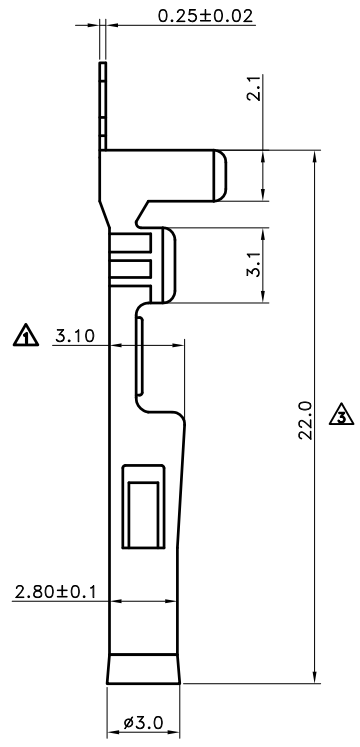
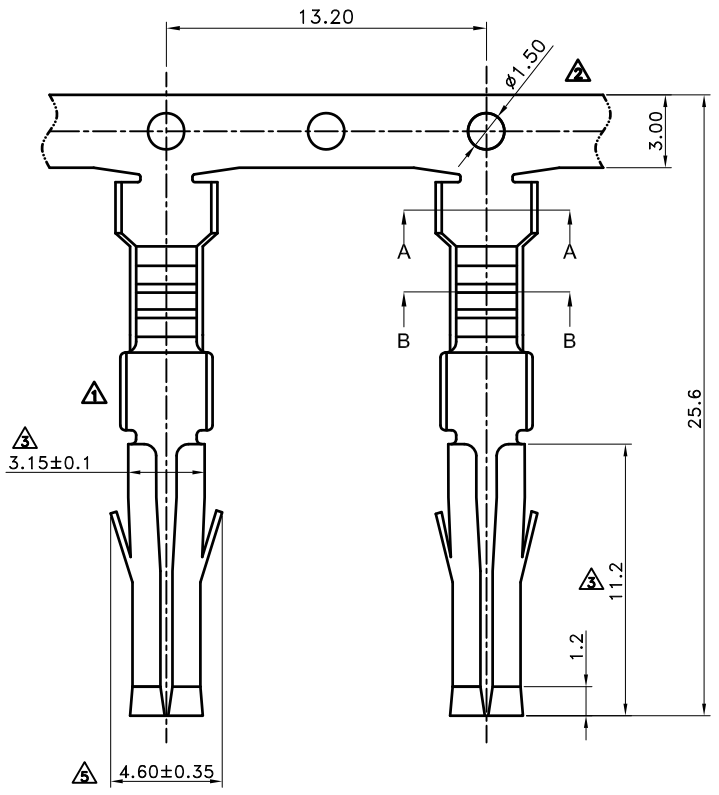


1 2 3 4 5 6 7 8



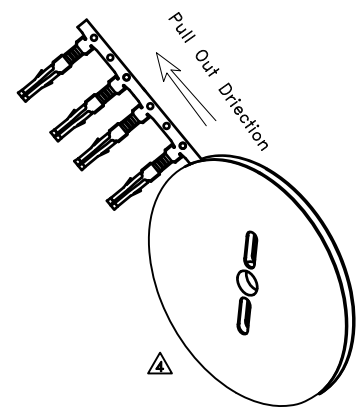
| Product Code | Dimension(mm) | |
|--------------|---------------|-----|
| | C | D |
| 2WT2430BS-2 | 4.2 | 5.2 |
| 2WT2430BS-2L | 3.5 | 3.6 |

▲ SPECIFICATIONS

- Voltage Rating : Pitch : 6.7mm 600V AC/DC
Pitch : 5.03mm 250V AC/DC
- Current Rating : Pitch : 6.7mm 17A AC/DC
Pitch : 5.03mm 12A AC/DC
- Withstanding Voltage : 2,000V AC/minute
- Insulation Resistance : 1,000MΩ min.
- Temperature Range : -40°C~+105°C
- Contact Resistance : 20mΩ max.

■ TERMINAL

- Part No. : 2WT2430BS-2X
Product Code: ①
- ① Crimp Type:
Blank : Normal Type
L : Low Type
- Applicable Wires :
2WT2430BS-2 : AWG# 14 - 20
2WT2430BS-2L : AWG# 18 - 22
- Material : Brass
- Finish : Tin Plated
- Thickness : 0.25mm
- Q'ty : 2WT2430BS-2 : 3,500 pcs/Reel
2WT2430BS-2L : 5,000 pcs/Reel



| TOLERANCE | LTR | REVISION RECORD | NAME | DATE | LTR | REVISION RECORD | NAME | DATE |
|-----------|-------|----------------------|------|------------|----------------------------------|-----------------|------|------|
| .0 | ±0.30 | ▲ 修改圖面 | 陳文松 | 2005/09/09 | ▲ | | | |
| .00 | ±0.20 | ▲ 修改及合併圖面 | 林謙豪 | 2012/02/17 | ▲ | | | |
| .000 | ±0.10 | ▲ 依規格書修改SPEC. 修改部分尺寸 | 張逸維 | 2013/06/11 | ▲ | | | |
| ANGLE | | ▲ 增加端子捲繞方向圖 | 吳弘文 | 2014/10/23 | | | | |
| 0° | ±1° | ▲ 尺寸修正 | 吳弘文 | 2015/07/15 | CUSTOMER | | | |
| .0° | ± | ▲ | | | Conforms to The RoHS Instruction | | | |
| SHEET | 1/1 | ▲ | | | | | | |

| | | | | |
|--------------------------------|---|----------|--------------|---------------|
| Singatron Enterprise Co., Ltd. | | | | |
| TITLE | (φ2.36mm)Wire toWire Power Connectors, Terminal | | | |
| DWN | 吳弘文 | PART NO. | 2WT2430BS-2X | |
| CHKD | 周慈雲 | SCALE | 1:1 | UNIT: mm |
| APVD | 張育瑞 | SIZE | A3 | SHEET: 1 OF 1 |
| | | REV: | a5 | |
| CUSTOMER COPY | | | | |

1 2 3 4 5 6 7 8