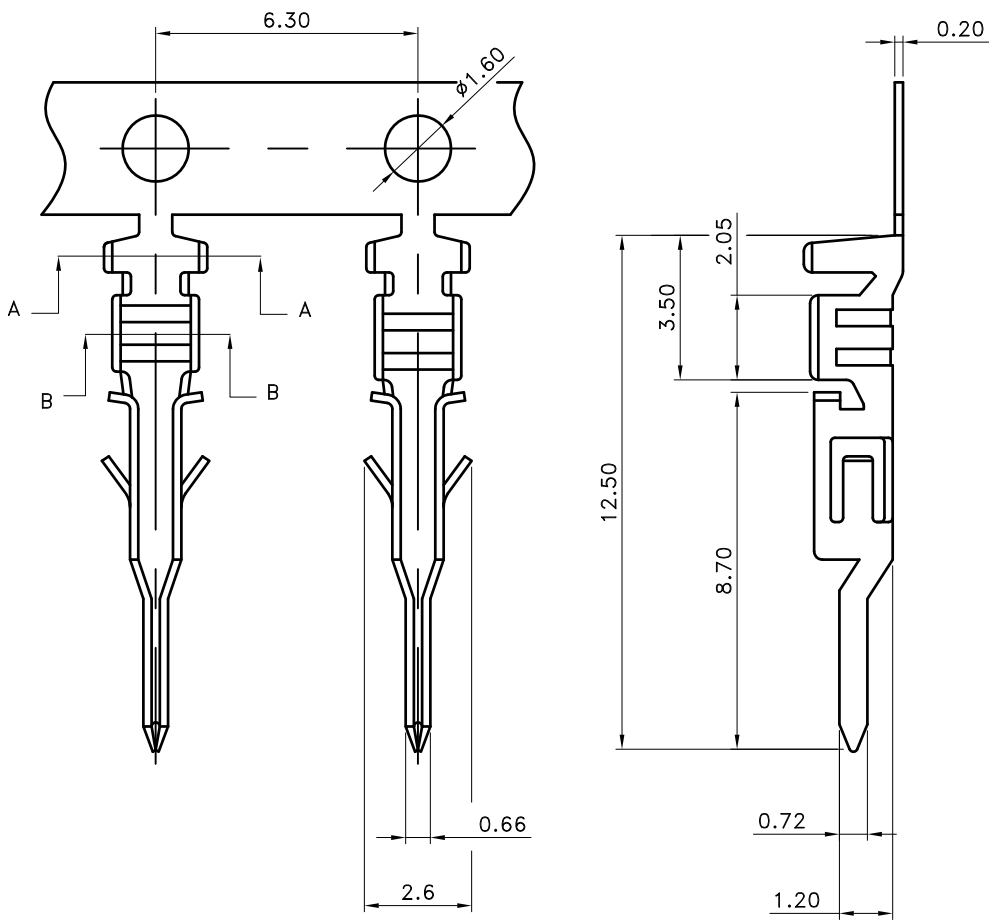
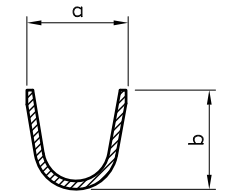
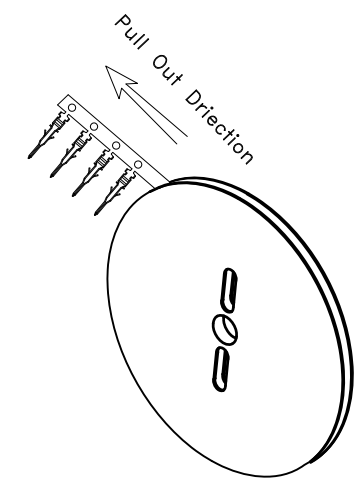


1 2 3 4 5 6 7 8

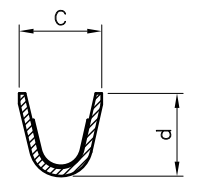


- **SPECIFICATIONS**
- Voltage rating : 250V AC/DC
 - Current rating : 5A AC/DC
 - Withstanding voltage : 1,500V AC/minute
 - Insulation resistance : 1,000M Ω min. initial
 - Temperature range : - 40 $^{\circ}$ C to + 85 $^{\circ}$ C
 - Contact resistance : 20m Ω max.

- **TERMINAL**
- Part No. : 2WT3024-T, 2WT3024-TL
 - Applicate wire: 2WT3024-T AWG #20-24
2WT3024-TL AWG #26-30
 - Material : Phos. Bronze
 - Finish : Tin plated
 - Thickness : 0.2mm
 - Q' ty : 10,000 pcs./Reel



A-A SEC



B-B SEC

Wire size	Part No.	Dim a	Dim b	Dim c	Dim d
AWG#20-24	2WT3024-T	2.70	2.40	2.10	2.10
AWG#26-30	2WT3024-TL	2.40	1.90	1.80	1.50

TOLERANCE	LTR	REVISION RECORD	NAME	DATE
.0	± 0.30	Δ DG 200503-001	余秀麗	2005/03/08
.00	± 0.20	Δ 200905-013	黃科源	2009/05/25
.000	± 0.10	Δ 增加端子捲繞方向圖	吳弘文	2014/10/23
		Δ 將Micro-Fit字樣刪除	李柏昇	2016/08/02
ANGLE				
0 $^{\circ}$	$\pm 1^{\circ}$	Δ		
.0 $^{\circ}$	\pm	Δ		
SHEET	1/1	Δ		

Singatron Enterprise Co., Ltd.

TITLE	3.00mm Power Connectors Terminal			
DWN	李柏昇	PART NO.	2WT3024-T, 2WT3024-TL	
CHKD	簡鴻彬	SCALE	1:1	UNIT: mm
APVD	張育瑞	SIZE	A3	SHEET: 1 OF 1
REV: A4				
CUSTOMER COPY				

1 2 3 4 5 6 7 8