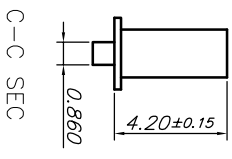
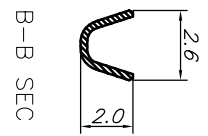
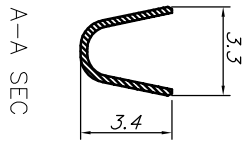
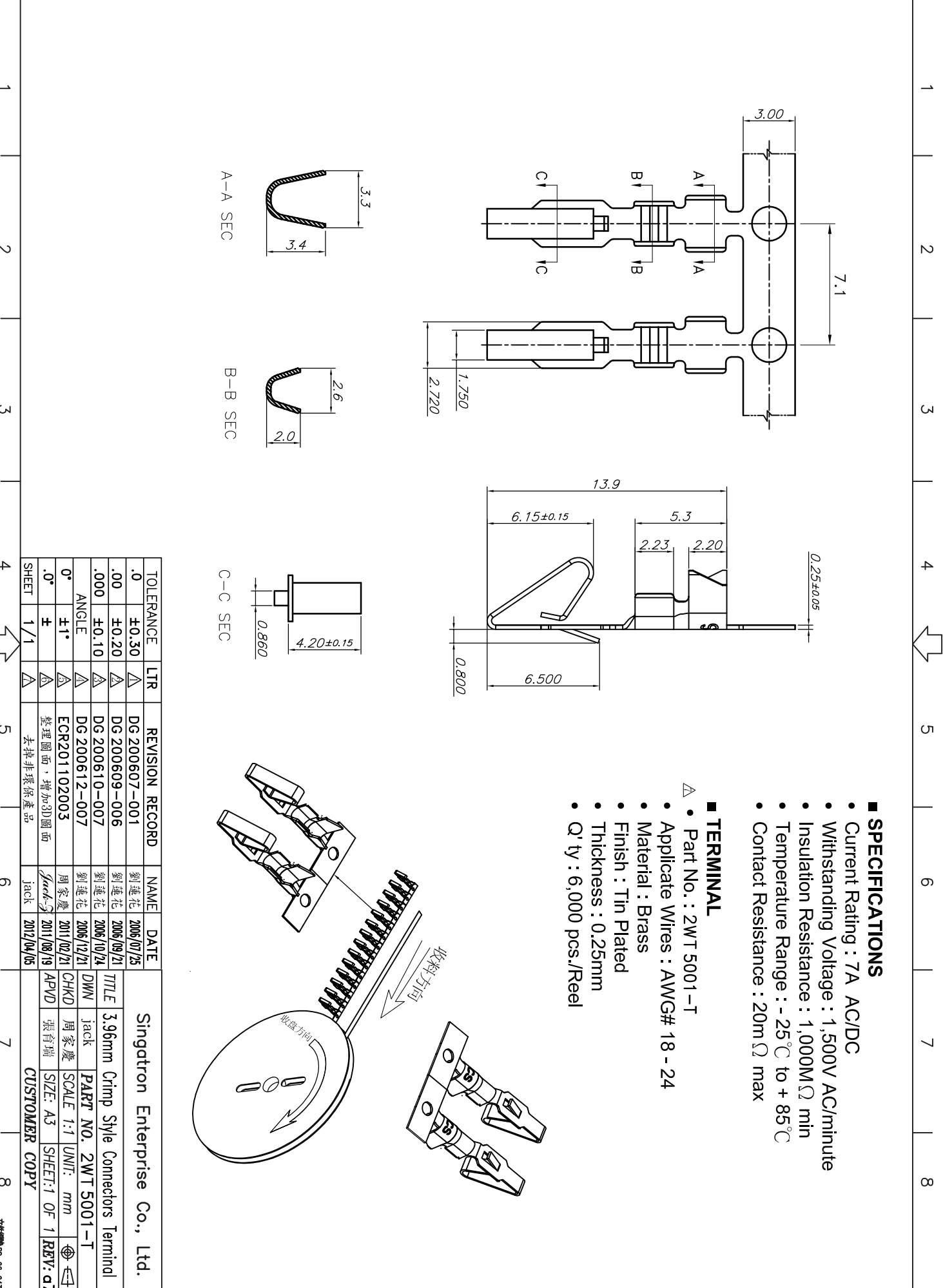


1 2 3 4 5 6 7 8

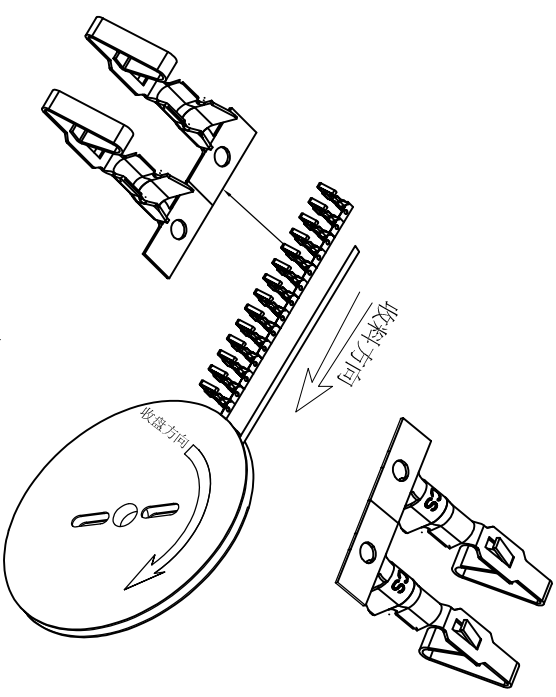


SPECIFICATIONS

- Current Rating : 7A AC/DC
- Withstanding Voltage : 1,500V AC/minute
- Insulation Resistance : 1,000MΩ min
- Temperature Range : - 25°C to + 85°C
- Contact Resistance : 20mΩ max

TERMINAL

- ▲ Part No. : 2WT 5001 -T
- Apply Wires : AWG# 18 - 24
- Material : Brass
- Finish : Tin Plated
- Thickness : 0.25mm
- Q'ty : 6,000 pcs./Reel



TOLERANCE	LTR	REVISION RECORD	NAME	DATE	Singatron Enterprise Co., Ltd.		
.0	△	DG 200607-001	劉蓮花	2006/07/25	TITLE	3.96mm Crimp Style Connectors Terminal	
.00	△	DG 200609-006	劉蓮花	2006/09/21	DWN	jack	
.000	△	DG 200610-007	劉蓮花	2006/10/24	CHKD	周家慶	
	△	DG 200612-007	劉蓮花	2006/12/21	APVD	張育端	
ANGLE	△	ECR201102003	周家慶	2011/02/21	SIZE: A3	SHEET: 1 OF 1	REV: 07
.0°	△		整理圖面，增加3D圖面	2011/08/19	CUSTOMER COPY		
±	△		去掉非環保產品	2012/04/05			
SHEET	1/1		jack				

1 2 3 4 5 6 7 8