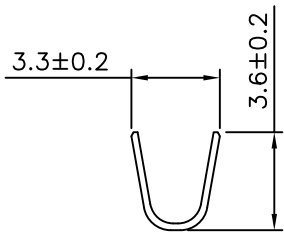


■ SPECIFICATIONS

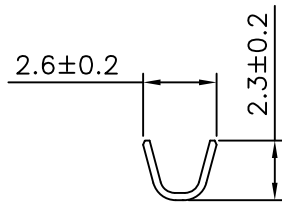
- Voltage Rating : 250V AC/DC
- Current Rating : 4A AC/DC
- Withstanding Voltage : 1,500V AC/minute
- Insulation Resistance : 500MΩ min
- Temperature Range : - 40°C to + 85°C
- Contact Resistance : 10mΩ max

■ TERMINAL

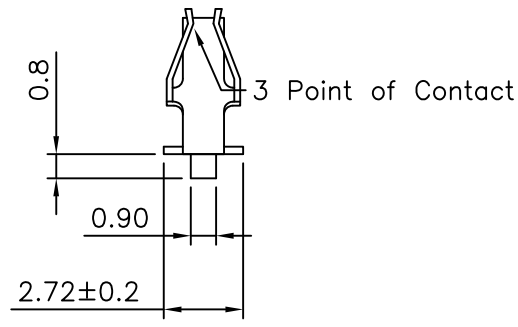
- Part No. : 2WT5001-TA
- 2WT5001-TA: GP Produces
- Applicate Wires : AWG# 18 - 24
- Material : Brass
- Finish : Tin Plated
- Thickness : 0.25mm
- Q' ty : 7,000 pcs./Reel



A-A SEC



B-B SEC



C-C SEC

TOLERANCE	LTR	REVISION RECORD	DATE
.0	±0.3	ECR DG 200605-009	06/05/18
.00	±0.2	ECR DG 200612-007	06/12/21
.000	±0.1		
ALL	±		
ANGLE			
0°	±		
.0°	+		

Singatron Enterprise Co., Ltd.

TITLE	3.96mm Crimp Style Connectors Termina		
DWN	劉達福	PART NO.	2WT5001-TA
CHKD	2006/12/21	SCALE	1:1 UNIT: mm
APVD	林陳錦	SIZE: A3	SHEET: 1 OF 1 REV: a2

CUSTOMER COPY